



AccessMount™ ICW

Customizable Solutions for Every Dental Application

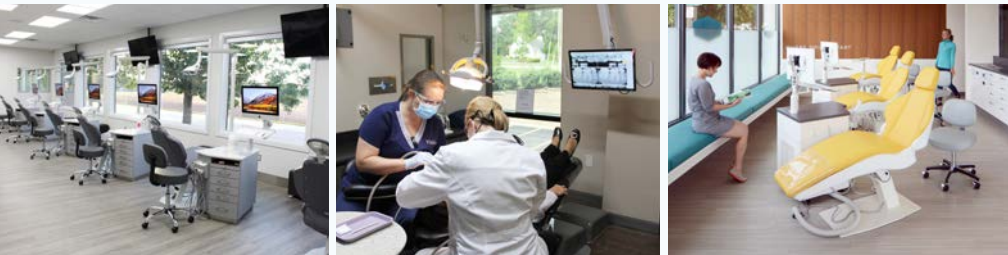
Our line of workstations and mounting solutions are not only the most articulate and durable in the market but they're also backed by the industry's most robust installation and support services.

TouchPoint
MEDICAL 

Optimized Equipment Mounting for Dental

TouchPoint Medical's workstation and equipment mounts are designed to enhance workflow efficiency, securely positioning your equipment so you can focus on patient care. Optimize your workspace with mounting solutions built for reliability and performance, ensuring seamless integration with various clinical environments.

- **Versatile & Adaptable** – Seamlessly integrates with various dental settings.
- **Flexible Configurations** – Supports simple documentation, telehealth and high-load applications.
- **Concealed Cable Management** – Keeps cables secure, organized and easy to access.
- **Easy to Clean** – Smooth surfaces and durable coatings ensure compliance with dental standards.



KEY BENEFITS



Concealed Cable Management



Easy Cleaning



Easy Mounting Wall Track Options



Variety of Configurations



Reliable Position Technology



Extension Arm Options

Table of Contents

Quick Reference	4-5
Workstations	6-15
AccessMount™ 180 ICW and 182 ICW	8-9
AccessMount™ 5216 ICW and 5220 ICW	10-11
AccessMount™ 6220 ICW	12-13
AccessMount™ VT21 Series	14-15
Equipment Mounting Systems	16-29
AccessMount™ T2EQ ICW	18-19
AccessMount™ 5120 ICW	20-21
AccessMount™ 560i ICW	22-23
AccessMount™ 500i ICW	24
AccessMount™ 95 ICW	25
AccessMount™ 182iOHA ICW	26-27
AccessMount™ Desk Clamp	28
AccessMount™ Tablet	29
AccessMount™ EV Series	30
AccessMount™ GX Series	31
Cabinet Mounting Systems	32-39
AccessMount™ Pro Slide 182 ICW	
Overcabinet Monitor Mount	34-35
AccessMount™ Pro Slide 182 ICW	
Undercabinet Workstation	36-37
AccessMount™ Pro Slide 182 ICW	
Undercabinet Monitor Mount	38
AccessMount™ Pro Slide ICW	
Undercabinet Workstation	39
Accessories and Add-Ons	40-46
Warranty	47

Wall Mounts



AccessMount Overhead Arm
UL1821-OHAT-MW



AccessMount 180 ICW
UL180HEV7-W3-KUS-A1-MW



AccessMount 5216 ICW
ELP5216-WT-KUS-MW

Max Reach	78.5" (199.4 cm)	47" (119.4 cm)	63.5" (161.3 cm)
Load Capacity	28 lbs (12.7 kg)	0-32 lbs (0-14.5 kg)	28 lbs (12.7 kg)
Vertical Adjust. Range	24" (61 cm)	16" (40.6 cm)	28" (71.1 cm)
Arm Swivel at Mount	180°	180°	180°
Stowed Depth	4" (10.2 cm)	10" (25.4 cm)	10.5" (26.7 cm)
Page Ref.	26-27	8-9	10-11

Desk Mounts



AccessMount EV Series
EV710-DV75-WB



AccessMount Tablet Mount
TABSDM-MW



AccessMount 180 ICW
UL180HEV7-D5-KDB-A1-MW

Max Reach	2.5" (6.4 cm)	17.5" (44.5 cm)	45.5" (115.6 cm)
Load Capacity	18 lbs (8.2 kg)	6 lbs (2.7 kg)	0-32 lbs (0-14.5 kg)
Vertical Adjust. Range	9.5" (24.1 cm)	7.5" (19.1 cm)	16" (40.6 cm)
Arm Swivel at Mount	360°	360°	360°
Stowed Depth	2.5" (6.4 cm)	10" (25.4 cm)	8.5" (21.6 cm)
Page Ref.	30	29	8-9

Ceiling Mounts



AccessMount 6220 ICW
ELP6220-XT12-KUB-MW



AccessMount Titan Elite
T2EQ-C8X5-MW



AccessMount 5120 ICW
ELQ5120-C8X5-MW

Max Reach	40" (101.6 cm)	44.5" (113 cm)	27.5" (69.9 cm)
Load Capacity	22 lbs (10 kg)	28 lbs (12.7 kg)	28 lbs (12.7 kg)
Vertical Adjust. Range	38" (96.5 cm)	19" (48.3 cm)	19" (48.3 cm)
Arm Swivel at Mount	360°	360°	360°
Page Ref.	12-13	18-19	20-21

Cabinet Mounts



AccessMount Pro Slide 180
Undercabinet Monitor Mount
UL180I-BV-PS28-D1-A1-MW



AccessMount Pro Slide
Overcabinet Monitor Mount
UL182I-PS28-XU25-MW



AccessMount Pro Slide 182
Undercabinet Workstation
UL182I-EV75-PS28-D0-KUB-MW

Max Reach	30.5" (77.5 cm)	27" (68.6 cm)	37" (94 cm)
Load Capacity	28 lbs (12.7 kg)	18 lbs (8.2 kg)	0-28 lbs (0-12.7 kg)
Vertical Adjust. Range	12" (30.5 cm)*	16" (40.6 cm)*	16" (40.6 cm)*
Arm Swivel at Mount	180°	120°*	180°
Stowed Depth	6" (15.2 cm)	Subject to cabinet	9.5" (24.1 cm)
Page Ref.	38	34-35	36-37

* Specification subject to cabinet it's mounted to.



Workstations

Customize Your Workstation for Any Dental Environment.

TouchPoint Medical's AccessMount workstations provide flexible, space-saving solutions purposefully designed to improve dental workflow and support high-quality patient care. With options from wall mounting to seamless integration into medical carts, these workstations ensure caregivers have secure, ergonomic access to vital technology at the point of care. Built for durability and ease of use, they help streamline tasks, reduce clutter and create more efficient, responsive care environments.



AccessMount™

180 ICW and 182 ICW Workstations

Ergonomically superior. Articulate. Built for clinical excellence.

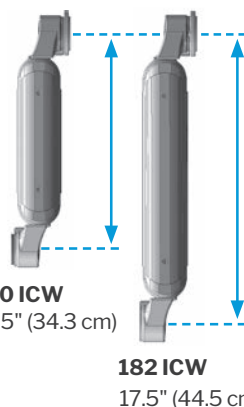
Maximize your clinical workspace with the most versatile and ergonomic short-arm mounting solution in dentistry.

- Full articulation for maximum flexibility
- Ergonomic design for caregiver comfort
- Compact and space-saving
- 360° horizontal & 180° vertical rotation
- Clean, integrated cable management
- Quiet, durable operation
- Protected by U.S. Patent 9,243,743

Mounting Location

- Wall
- Cabinet
- Desk
- Pole
- Headwall
- Cart

180 & 182 Arm Length Comparison



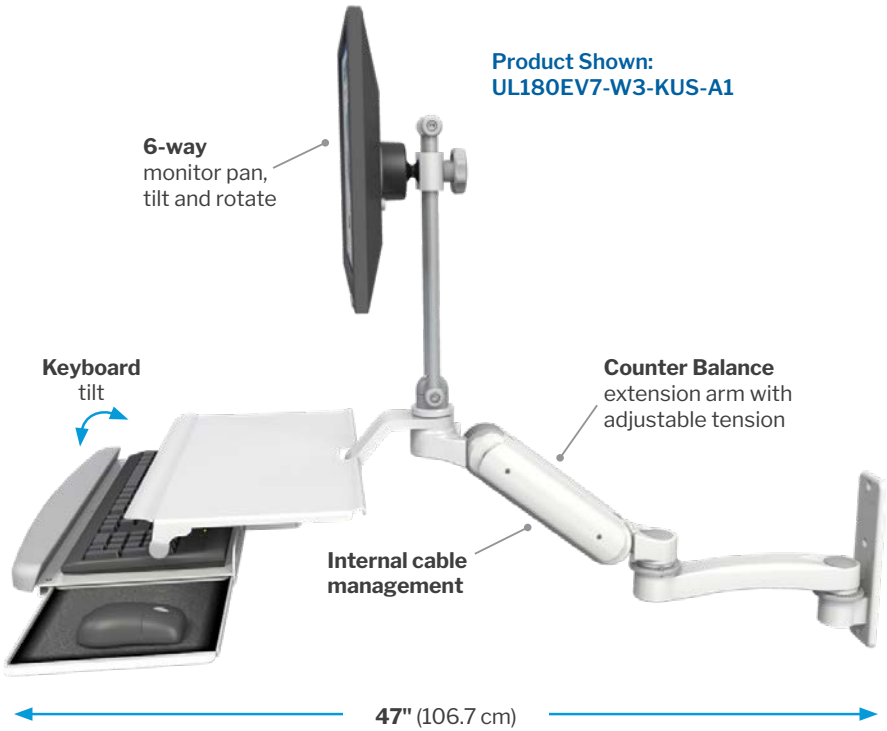
Specifications	180 ICW	182 ICW
Load Capacity	0-32 lbs (0-14.5 kg)	0-32 lbs (0-14.5 kg)
	0-42 lbs (0-19.1 kg) Heavy Duty	7-45 lbs (3.2-20.4 kg) Heavy Duty
Maximum Reach	47" (119.4 cm)	51" (129.5 cm)
Vertical Adjustment Range	16" (40.6 cm)	24" (61 cm)
Arm Swivel at Mount	180°	180°
Screen Tilt	50°	50°
Stowed Depth	10" (25.4 cm)	10" (25.4 cm)
Monitor Rotation	Landscape to Portrait	Landscape to Portrait

Monitor, keyboard and mouse not included.

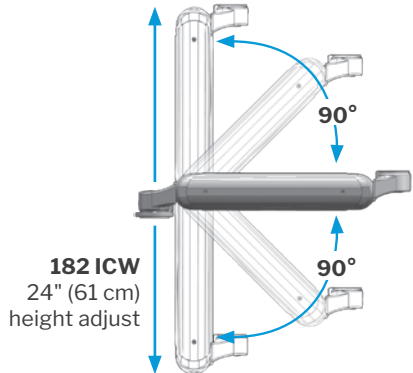
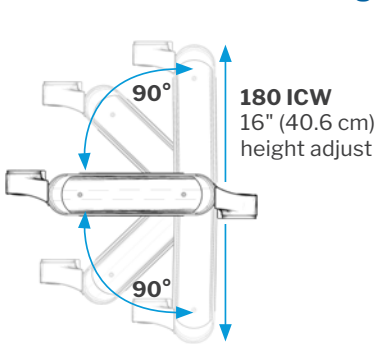
Stowed View



Product Shown:
UL180EV7-W3-KUS-A1



Range of Motion



AccessMount™

5216 ICW and 5220 ICW Workstations

Our best-selling true sit-stand workstation.

The AccessMount 5216 ICW and 5220 ICW Workstations offer the longest reach their class—pairing effortless articulation with rock-solid support and a space-saving design.

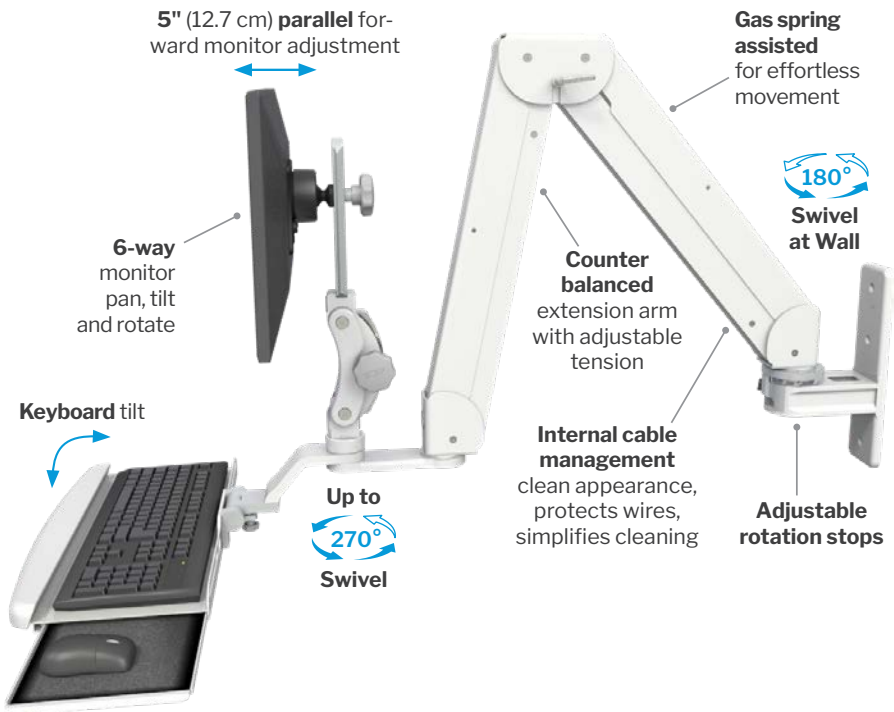
- Supports a wide range of user heights and preferences with smooth, easy height adjustment.
- Industry-leading horizontal and vertical reach with fluid articulation at every joint.
- Helps minimize the effects of prolonged sitting and reduces strain on the neck, back, and wrists.
- Folds into a low-profile position to free up space for patients, families, and care teams.
- Powder-coated finish and internal cable management simplify cleaning and support infection control protocols.
- Optional Service Tray stows completely under the monitor.

Mounting Location

- Wall
- Cabinet
- Headwall
- Pole
- Cart

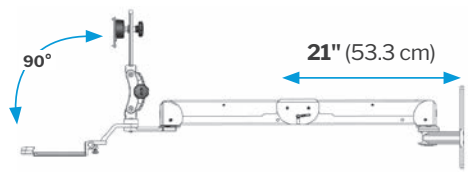
Specifications	5216 ICW	5220 ICW
Load Capacity	28 lbs (12.7 kg)	28 lbs (12.7 kg)
Maximum Reach	63.5" (161.3 cm)	68.5" (174 cm)
Vertical Adjustment Range	28" (71.1 cm)	38" (96.5 cm)
Arm Swivel at Mount	180°	180°
Screen Swivel	180°	180°
Screen Tilt	50°	50°
Stowed Depth	10.5" (26.7 cm)	10.5" (26.7 cm)

Monitor, keyboard, and mouse not included.



Product Shown:
ELP5220-WT-KUB

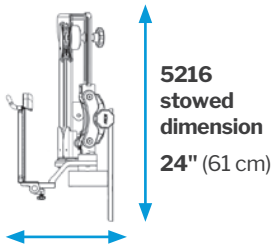
Length Comparison



5216 ICW

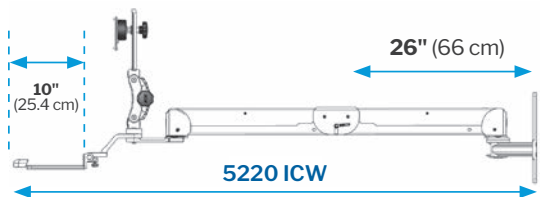
Maximum Reach of **63.5"** (161.3 cm)

Stowed View



5216
stowed
dimension
24" (61 cm)

10.5" (26.7 cm)



5220 ICW

Maximum reach of **68.5"** (174 cm)

AccessMount™

6220 ICW Workstation

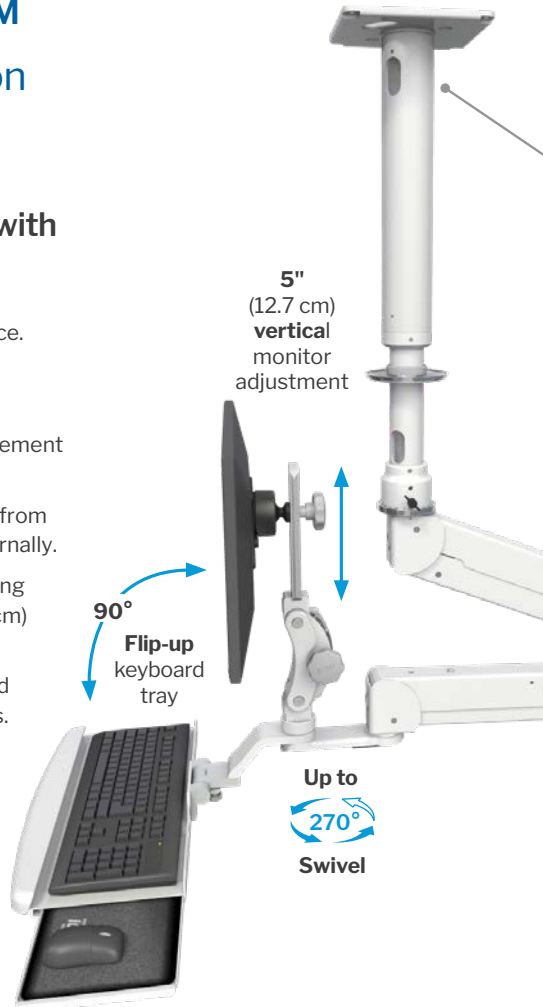
ELP6220-XT12-KUB

The perfect ceiling mount with LCD and keyboard.

- Sleek and sturdy construction and engineered for years of reliable service.
- Popular workstation stows conveniently overhead.
- Fully concealed internal cable management protects cabling.
- Removable stop pin prevents mount from turning 360° and twisting cables internally.
- Adjustable drop pole has two retracting options – 19" to 26" (48.3 cm to 66 cm) and 26" to 37" (66 cm to 94 cm).
- Stows safely out of the way, overhead above users as tall as 6-feet, 6 inches.

Mounting Location

- Ceiling



Specifications	6220 ICW
Load Capacity	28 lbs (12.7 kg) with LCD only
	22 lbs (10 kg) with LCD and keyboard
Vertical Adjustment Range	38" (96.5 cm)
Maximum Reach	40" (101.6 cm)
Arm Swivel at Mount	360° at mount (stop pins provided)
Screen Swivel	180°
Screen Tilt	50°
Stowed Depth	14" (35.6 cm) from ceiling plate

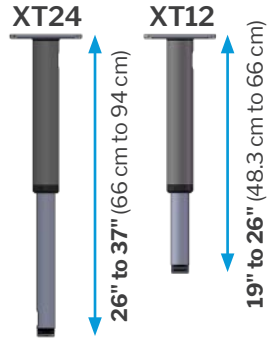
Monitor, keyboard, and mouse not included.

Internal wire management
creates a clean appearance,
protects cables and simplifies cleaning

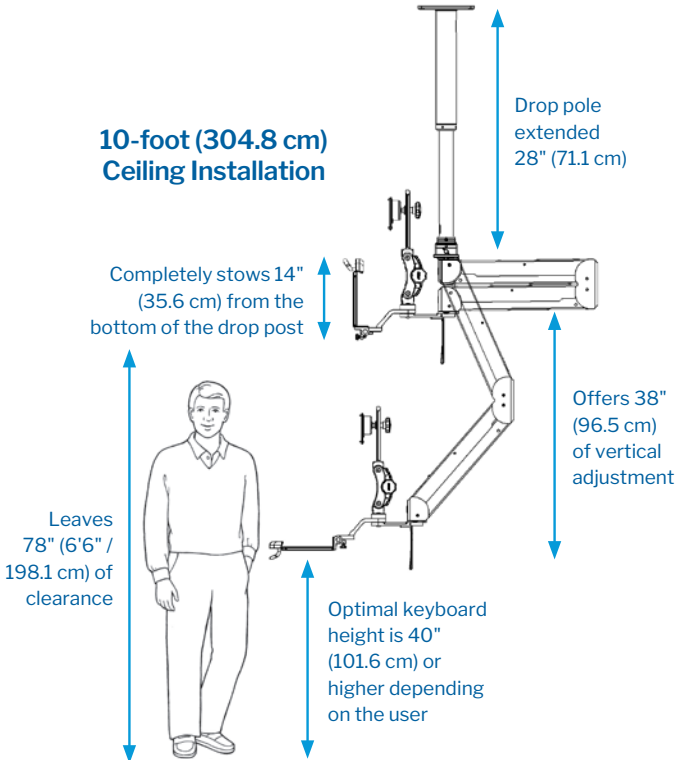
Counter balanced
extension arm with
adjustable tension

Gas spring assisted
for effortless
movement

Adjustable Drop Pole Options



10-foot (304.8 cm) Ceiling Installation



All lengths in this diagram are approximate.

AccessMount™

VT Series Workstations

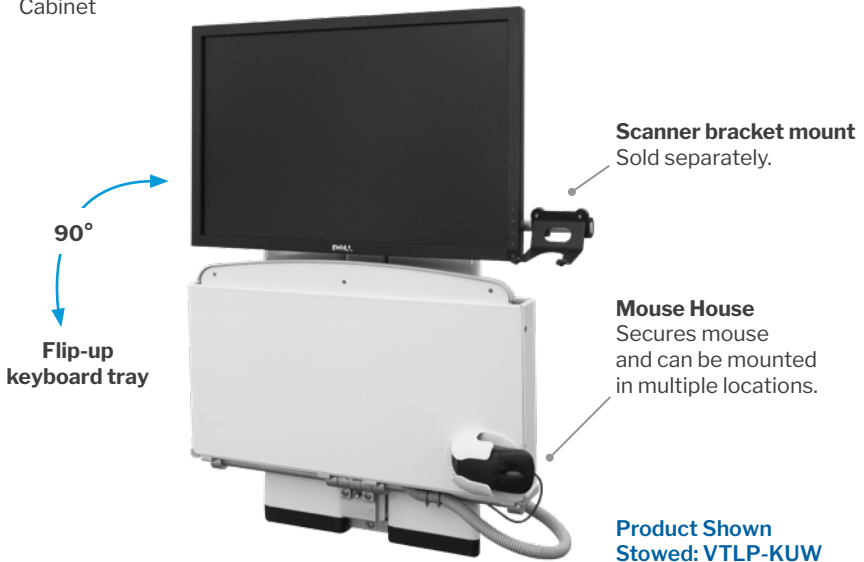
Available in three models

Slim, smart, and built for high-traffic dental spaces.

- Low-profile design with only 4" of stowed depth—ideal for high-traffic dental environments.
- VESA compatible mount supports a wide range of flat-panel displays.
- Offers 21" of vertical movement to support sit-stand flexibility.
- Provides 15° of total keyboard tilt for personalized comfort.
- Built-in, secure cable management keeps workspaces organized and easy to clean.
- Ideal for monitors, small devices or lightweight peripherals.

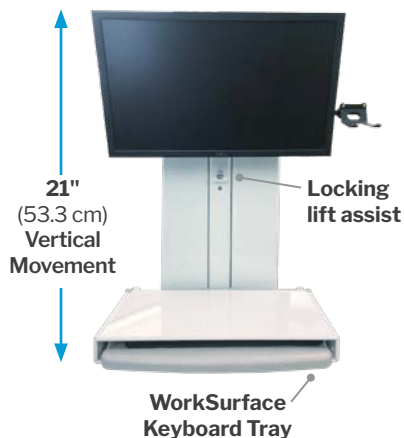
Mounting Location

- Wall
- Cabinet



Single Monitor

VT21-KUW



Specifications	VT21-KUW
Load Capacity	10-25 lbs (4.5-11.3 kg)
Vertical Adjustment Range	20" (50.8 cm)
Maximum Reach	22.5" (57.2 cm)
Screen Swivel	15°
Screen Tilt	15°
Stowed Depth (Monitor Swivel and Tilt)	5.5" (14 cm)
Monitor Rotation	Landscape to Portrait
VESA Interface	75 mm to 100 mm

Monitor, scanner bracket and keyboard not included.

Dual Monitor

VT21HDMR-KUW

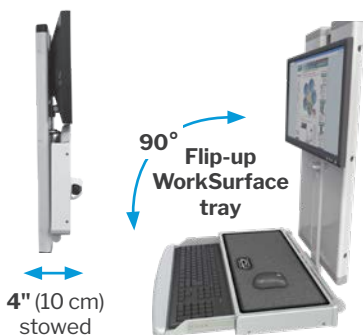


Specifications	VT21-KUW
Load Capacity	20-35 lbs (9-15.9 kg)
Vertical Adjustment Range	20" (50.8 cm)
Maximum Reach	22.5" (57.2 cm)
Screen Swivel	15°
Screen Tilt	50°
Stowed Depth (Monitor Swivel and Tilt)	8" (20.3 cm)
Monitor Rotation	Landscape to Portrait
VESA Interface	75 mm to 100 mm

Monitor, keyboard and mouse not included.

Low Profile

VTLP-KUW



Specifications	VT21-KUW
Load Capacity	10-25 lbs (4.5-11.3 kg)
Vertical Adjustment Range	20" (50.8 cm)
Maximum Reach	22.5" (57.2 cm)
Stowed Depth (Monitor Swivel and Tilt)	4" (10.2 cm)
Monitor Rotation	Landscape to Portrait
VESA Interface	75 mm to 100 mm

Monitor, keyboard and mouse not included.



Equipment Mounting Systems

Optimize Workflow with Reliable, Space-Saving Solutions

TouchPoint Medical's equipment mounting systems provide secure, ergonomic solutions for mounting monitors, medical devices and accessories. Designed for stability and flexibility, these mounts enhance efficiency, maximize workspace and support seamless patient care in any clinical setting.



AccessMount™

Titan Elite ICW Monitor Mount

T2EQ-C8X5

Ideal for operator suites, imaging rooms and just about any dental setting, this monitor mount provides effortless positioning.

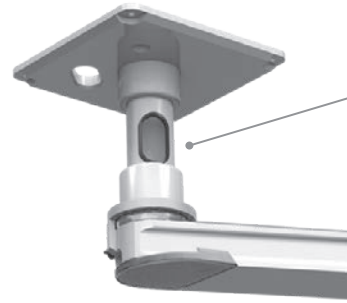
The T2EQ ICW Ceiling Monitor Mount allows a monitor to be securely mounted from the ceiling or headwall shelf, pulled down when needed, then stowed up and out of the way. With multiple pivot points, this arm enables vertical and horizontal adjustments along with 360° of rotation.

Mounting Location

- Ceiling

Specifications	T2EQ ICW
Load Capacity	28 lbs (12.7 kg)
Vertical Adjustment Range	19" (48.3 cm)
Maximum Reach	44.5" (113 cm)
Arm Swivel at Mount	360°
Screen Swivel	180°
Screen Tilt	90°
Stowed Depth	7.5" (19.1 cm)
VESA Interface	75 mm and 100 mm
Extension Pipe	5" included

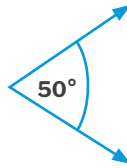
Monitor not included.



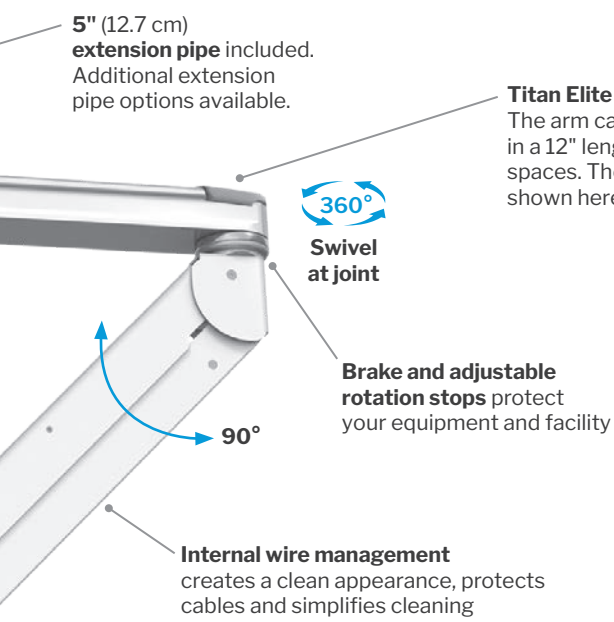
360°
Swivel

Counter-balanced extension arm with adjustable arm tension

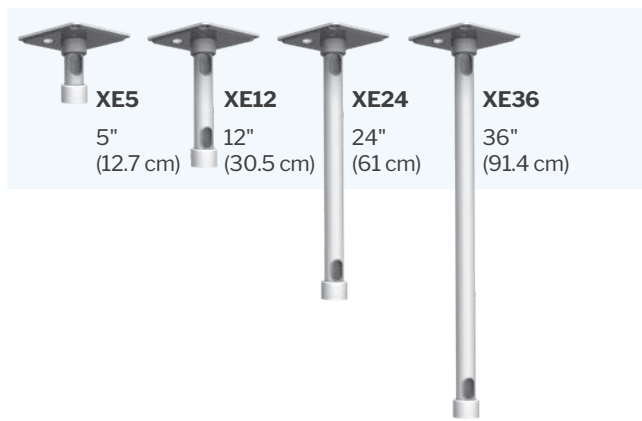
Screen tilt at ball joint



360°
Monitor Swivel



Ceiling Mount Extension Pipe Options



AccessMount™

5120 ICW Monitor Mount

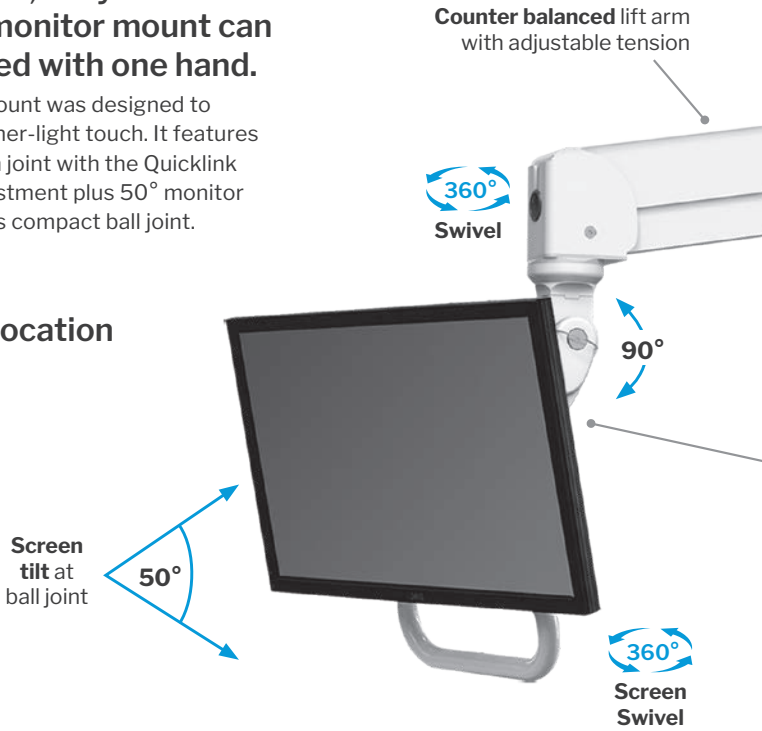
ELQ5120-C8X5

This versatile, easy to maneuver monitor mount can be positioned with one hand.

The 5120 ICW mount was designed to move with a feather-light touch. It features 90° of tilt at each joint with the Quicklink push button adjustment plus 50° monitor tilt and pivot at its compact ball joint.

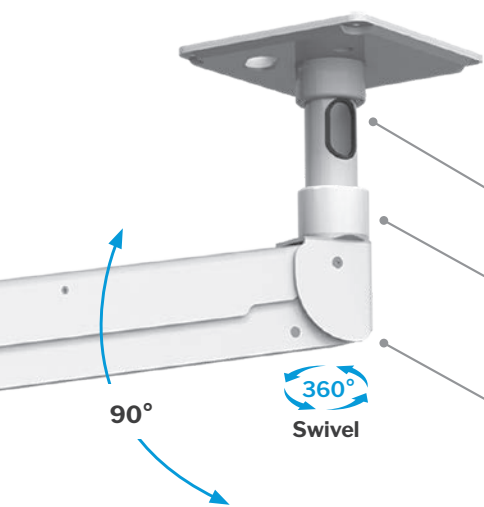
Mounting Location

- Ceiling
- Pole



Specifications	5120 ICW
Load Capacity	28 lbs (12.7 kg)
Vertical Adjustment	19" (48.3 cm)
Maximum Reach	27.5" (69.9 cm)
Arm Swivel at Mount	360°
Screen Swivel	360°
Screen Tilt	Over 90°
Monitor Rotation	Landscape to Portrait
VESA Interface	75 mm and 100 mm

Monitor not included.



5" (30.5 cm) extension pipe included.
Additional extension pipe options available.

Adjustable rotation stops protect your equipment and facility

Internal wire management creates a clean appearance, protects cables and simplifies cleaning

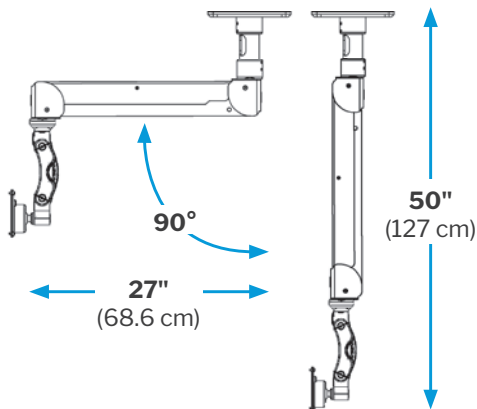
Quicklink push button tilt adjustment provides 90° of tilt at two joints

Extension Pipes

Available in four lengths



Vertical Range of Motion



AccessMount™

560i ICW Monitor Mount

UL560i-C8X12

Flexible positioning. Strong, sleek performance.

The 560i ICW arm delivers smooth, full-range articulation for enhanced visibility and user comfort. Featuring a 6-inch vertical adjustment via the integrated Quicklink adjuster, this arm makes it easy to position your monitor exactly where it's needed—effortlessly and securely.

Engineered for durability, it mounts 24 inches (61 cm) from the ceiling using a robust 8" x 8" (20.3 cm x 20.3 cm) ceiling plate, providing enhanced strength and stability for demanding dental or technical environments.

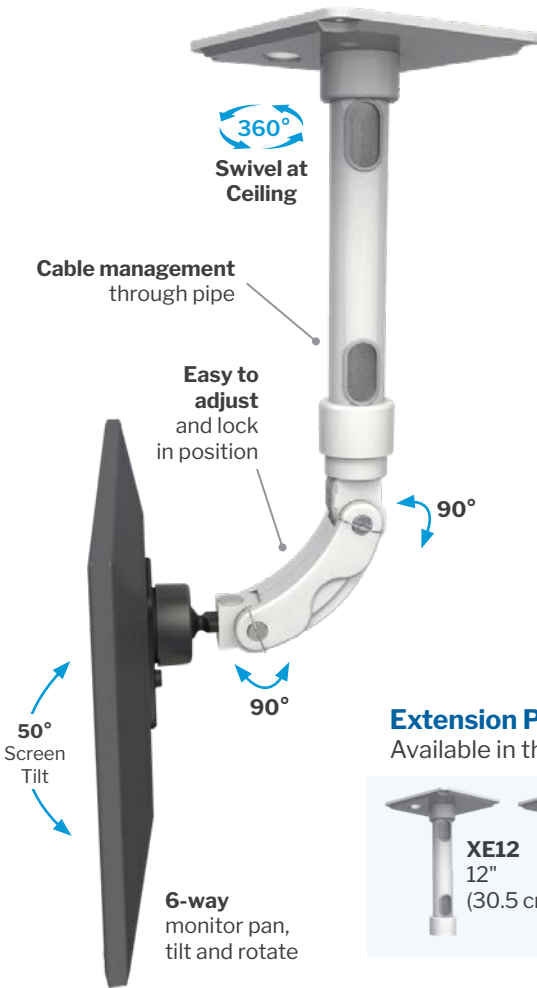
Crafted from solid billet aluminum and finished in a high-gloss white powder coat, the 560i ICW mount resists wear while blending seamlessly into an operator suite and other dental settings. Each unit is hand-assembled to ensure the highest level of quality and performance—right out of the box.

Mounting Location

- Ceiling

Specifications	560i ICW
Load Capacity	28 lbs (12.7 kg)
Maximum Reach	7" (17.8 cm)
Mounting Surface	Ceiling 8" x 8" (20.3 cm x 20.3 cm) plate
Arm Swivel at Mount	360°
Screen Tilt	Over 90°
Stowed Depth	4" (10.2 cm)
Monitor Rotation	Landscape to Portrait
VESA Interface	75 mm and 100 mm

Monitor not included.



Mounting Plate
C8X 8" x 8"
(20.3 cm x 20.3 cm)

Extension Pipes

Available in three lengths



AccessMount™

500i ICW Monitor Mount

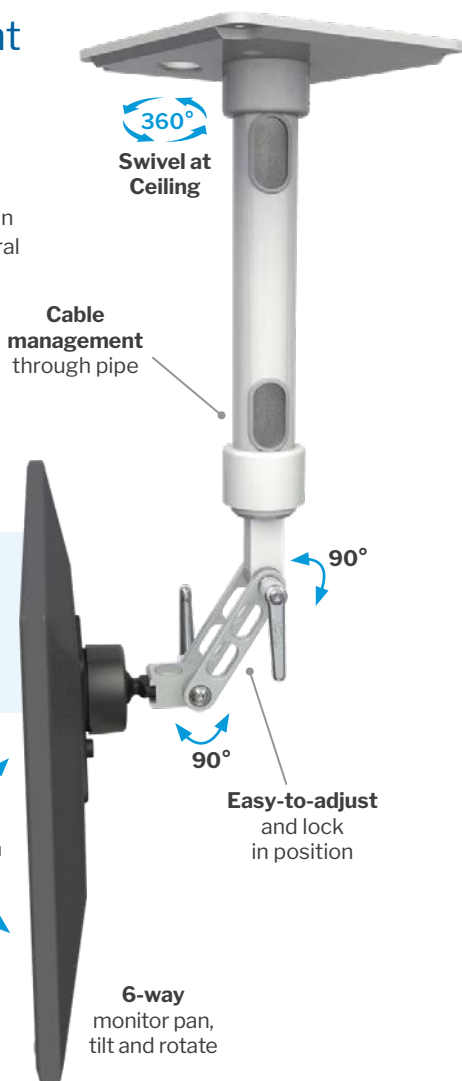
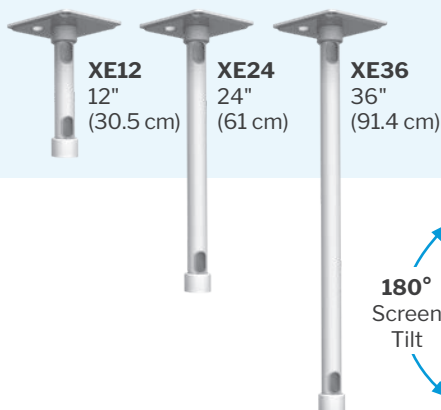
UL500i-C8X12

Offering a wide range of tilt and pivot options.

The 500i ICW mounts from the ceiling on an extension pipe made of true 2" o.d. structural tubing for side load support. Choose the length that best meets your needs.

Extension Pipes

Available in three lengths



Specifications	
Load Capacity	18 lbs (8.2 kg)
Vertical Adjustment Range	7" (17.8 cm)
Maximum Reach	8" (20.3 cm)
Screen Swivel (Bottom of Pipe)	360°
Screen Tilt	Over 90°
Stowed Depth	4" (10.2 cm)
Monitor Rotation	Landscape to Portrait
VESA Interface	75 mm and 100 mm

Monitor not included.

AccessMount™

95 ICW Monitor Mount

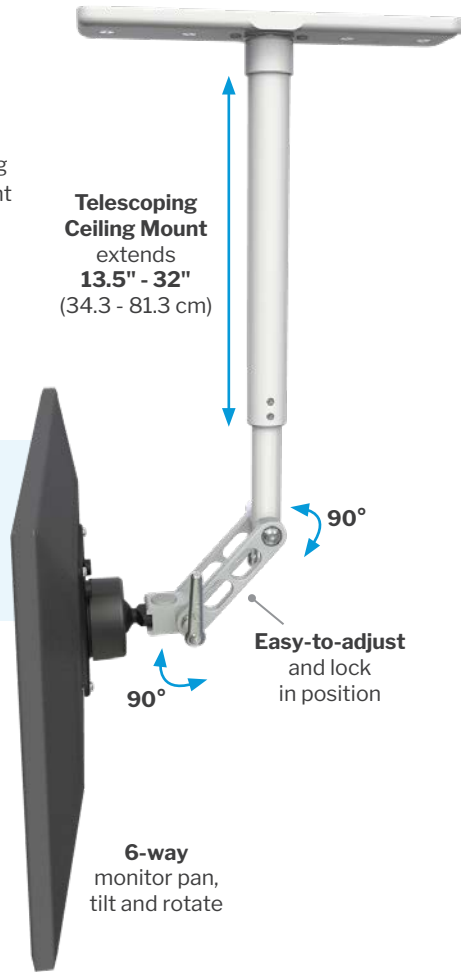
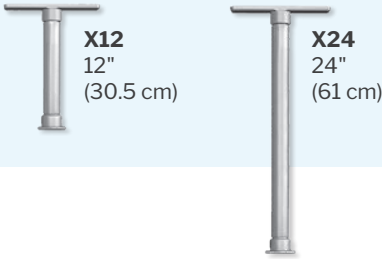
UL95-CU

Position your monitor to exactly the height you need.

The 95 ICW mounts securely from the ceiling with a telescoping pipe, making it an excellent choice for operatory suites and other dental environments.

Extension Pipes

Available in two lengths



Specifications	
Load Capacity	18 lbs (8.2 kg)
Vertical Adjustment Range	7.5" (19.1 cm)
Telescopic Pole Adjustment	10.5" (26.7 cm)
Maximum Reach	7.5" (19.1 cm)
Arm Swivel at Mount	360°
Screen Tilt	Over 90°
Stowed Depth	4" (10.2 cm)
Monitor Rotation	Landscape to Portrait
VESA Interface	75 mm and 100 mm

Monitor not included.

Ultra Secure

The Ultra 95 Ceiling Mount is secured to a stud in the ceiling using four countersunk wood screws that are provided with the unit.



AccessMount™

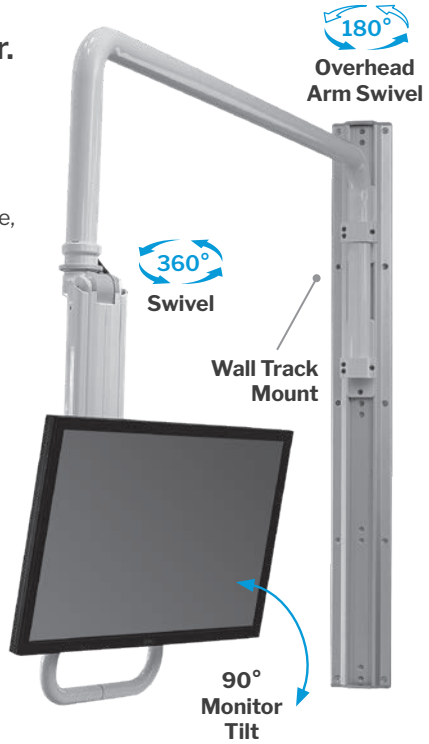
Overhead Arm

UL182i-OHAT

Exceptional reach for a monitor.

TouchPoint Medical's unique overhead mounting arm is built for demanding dental environments—delivering extended reach and smooth, flexible motion for monitors in patient rooms, procedure areas and workstations. It can be mounted to a wall using a track or plate, or securely installed within or above cabinetry to meet the specific needs of your workspace.

- Attaches to the wall or above a cabinet, providing 180° of horizontal rotation at the mount.
- Provides up to 360° of horizontal rotation for a monitor.
- Conveniently stows just 4" (10.2 cm) from the wall and monitor can be pulled out when needed.
- Internal wire management for regular or low voltage.
- Power coated for durability in your choice of 3 standard colors and 7 custom options.



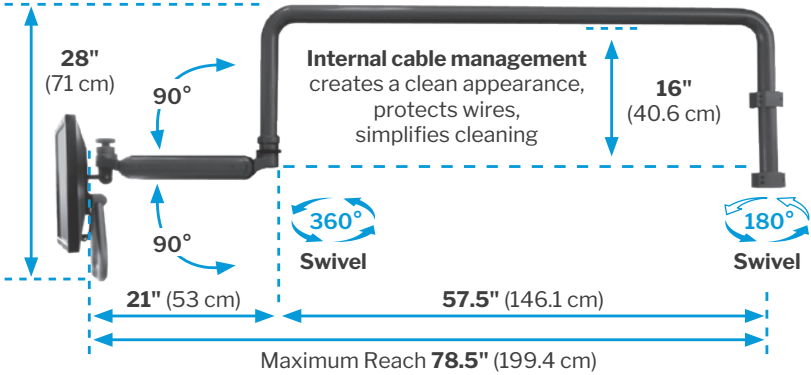
Mounting Location

- Wall

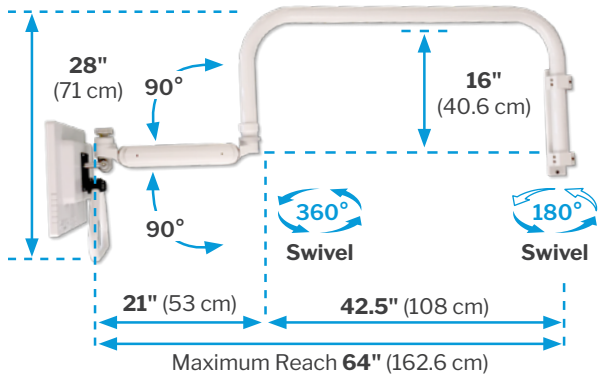
Specifications	Standard Overhead Arm UL182i-OHAT/OHAP	Short Overhead Arm UL182i-OHATS/OHAPS
Load Capacity	28 lbs (12.7 kg)	28 lbs (12.7 kg)
Maximum Horizontal Reach	78.5" (199.4 cm) with UL182	64" (162.6 cm) with UL182
	57.5" (146.1 cm)	42.5" (108 cm)
Vertical Adjustment Range	24" (61 cm)	24" (61 cm)
Horizontal Swivel	180° at mount	180° at mount
182 ICW Arm Swivel	360°	360°
Screen Swivel	180°	180°
Screen Tilt	90°	90°
Stowed Depth	4" (10.2 cm)	4" (10.2 cm)
VESA Interface	75 mm and 100 mm	75 mm and 100 mm

Monitor, keyboard, and mouse not included.

Standard Overhead Arm



Short Overhead Arm



AccessMount™

Desk Clamp Workstation

ELP5216-CT2-KDB

Strong vice-style clamp can mount workstation or monitors.

- **Desk Mount Heights** available for most AccessMount mount configurations.
- **Rubber Pads** protect work surfaces from damage during desk mount clamp placement or location readjustment.
- **User-Friendly Vice-Style Clamp** makes workstation easy to remove, reattach or readjust along the desk's surface.
- **Solid Support** for workstations with dual monitors.
- **Ideal Mount** for offices and temporary workstations. Easy to relocate.
- **Load Capacity** depends on the capacity of the components mounted on the clamp. The clamp does not decrease or increase the mount's load capacity.



Rubber pads protect desk's surface



Vice-style clamp offers solid support and easy adjustability

Mounting Location

- Desk

Specifications	Desk Clamp
Load Capacity	28 lbs (12.7 kg)
Vertical Adjustment Range	28" (71.1 cm)
Maximum Reach	53.5" (135.9 cm)
Arm Swivel at Mount	180°
Screen Swivel	180°
Screen Tilt	50°
Stowed Depth	10.5" (26.7 cm)
Available Riser Heights	1.25" (3.2 cm), 5" (12.7 cm), 7.5" (19.1 cm)
Minimum Surface Edge Depth	4" (10.2 cm)
Monitor Rotation	Landscape to Portrait
VESA Interface	75 mm and 100 mm

Computer, monitors, keyboard and mouse not included.

AccessMount™ Tablet Mount

Adjustable. Theft-resistant fastener.

Securely holds tablets and provides exceptional range of motion. Tilts to any viewing angle.

- Spring loaded cradle expands and contracts to fit many tablet sizes. Attaches to a counter or desk with either a clamp or desk mount.
- Theft resistant TABSDM secures tablet to plate. Requires custom TouchPoint Medical key for tablet removal.
- All tablet mounts have a 100 mm x 100 mm VESA pattern and can be added to any AccessMount system.
- Optional, TABV12 Series will hold larger tablets such as the iPad Pro and Surface 4.

Mounting Location

- Desk
- Reception Counter
- Cabinet

Specifications	Tablet Mounts
"TAB Series" Tablet Size	Min: 6.5" x 9.5" (16.5 cm x 24.1 cm)
	Max: 8" x 11.5" (20.3 cm x 29.2 cm)
"TABV12 Series" Tablet Size	Min: 7.5" x 11.5" (19.1 cm x 29.2 cm)
	Max: 9" x 13.5" (22.9 cm x 34.3 cm)

Product	Part Numbers
Theft Resistant Desk Mount	TABSDM
Clamp Mount	TABCC
Larger Tablets such as iPad Pro and Surface 4	TABV12
Tablet Mount Plate with 100 mm VESA compatibility	TABV

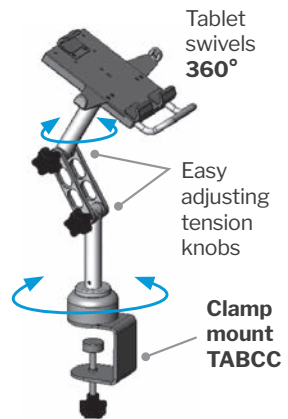
Tablet not included.



Desk Mount TABSDM



Undercabinet Tablet Mount



Mount adjusts **16.6"** (42.2 cm) vertically

Product Shown: **TABCC**

AccessMount™

EV Series Monitor Mounts

Available in two models

Optimize your workspace with adjustable, durable and ergonomic mounts.

The EV Series offers strong, adjustable mounting solutions enhancing comfort and flexibility. Designed for ergonomic efficiency, these mounts provide smooth rotation, tilt, and height adjustability, reducing strain while securing your monitors in any environment.

Mounting Location

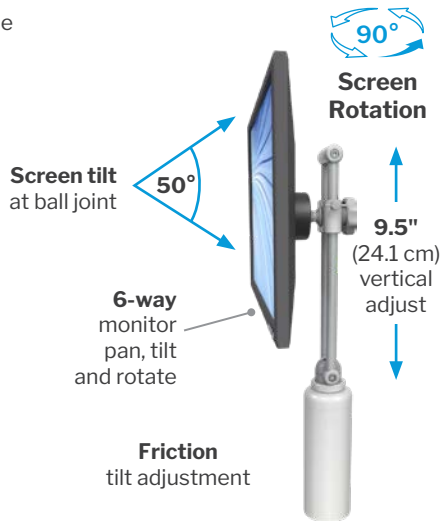
- Wall
- Pole
- Desk

710 ICW Desk Mount

EV710-DV75

Specifications	710 ICW
Load Capacity	18 lbs (8.2 kg)
Vertical Adjust	9.5" (24.1 cm)
Maximum Reach	2.5" (6.4 cm)
Screen Swivel	360°
Screen Tilt	50°
Stowed Depth	2.5" (6.4 cm)
VESA Interface	75 mm and 100 mm

Monitor not included.

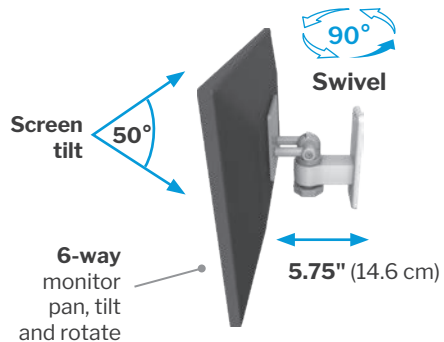


65 ICW Wall Mount

EV65-W2

Specifications	65 ICW
Load Capacity	28 lbs (12.7 kg)
Maximum Reach	6" (15.2 cm)
Screen Swivel	180°
Screen Tilt	50°
Stowed Depth	6" (15.2 cm)
VESA Interface	75 mm and 100 mm

Monitor not included.



AccessMount™

GX and FM Series Monitor Mounts

Available in three models

Streamline your space with the compact, secure and versatile GX series mounts.

The GX Series delivers space-saving LCD monitor mounts designed for dental environments. With secure ergonomic designs, these mounts are durable and easy to install—enhancing workflow efficiency without compromising valuable space.

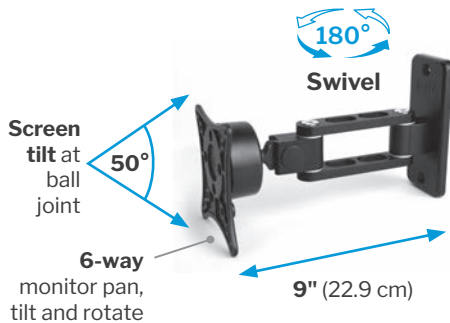
Mounting Location

- Wall

270 ICW

GX270-WM

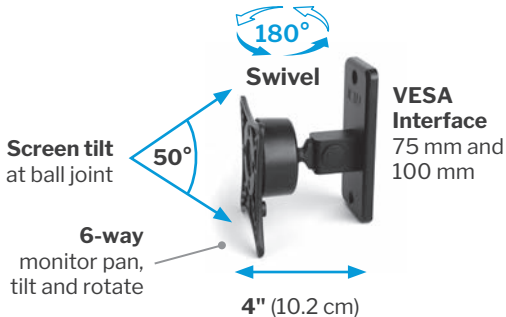
Specifications	
Load Capacity	28 lbs (12.7 kg)
Maximum Reach	9" (22.9 cm)
Arm Swivel	180°
Stowed Depth	4.5" (11.4 cm)
VESA Interface	75 mm and 100 mm



170 ICW

GX170-WM

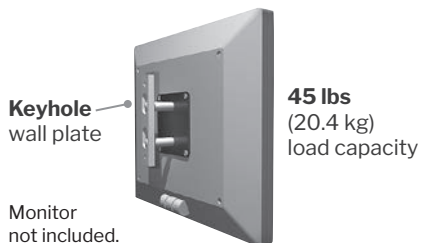
Specifications	
Load Capacity	28 lbs (12.7 kg)
Maximum Reach	4.5" (11.4 cm)
Arm Swivel	180°
VESA Interface	75 mm and 100 mm



Fixed Wall Mount

FM25, FM26, FM30, FM31

Model	Max Reach / Plate
FM25	2" (5.1 cm) / 75 mm
FM26	1" (2.54 cm) / 75 mm
FM30	2" (5.1 cm) / 100 mm
FM31	1" (2.54 cm) / 100 mm





Cabinet Mounting Systems

Upgrade and Complement Your Cabinet with Footprint-Preserving Workstations and Monitor Mounts.

TouchPoint Medical offers a vast array of computer workstations and monitor mounting systems that complement the cabinet décor in operatory suites. When mounted to cabinets, these workstation and monitor mounts enhance staff workflow without occupying precious space in the environment. These systems are ergonomic, easily adjustable and provides convenient viewing for both staff and patients.



AccessMount™

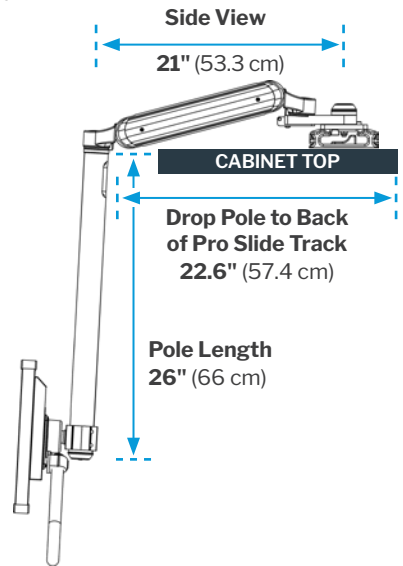
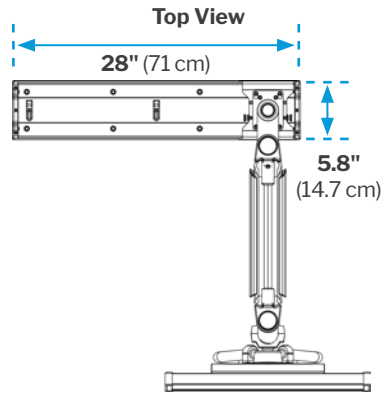
Pro Slide 182 ICW Overcabinet Monitor Mount

UL182i-PS28-XU25

Convenient and Durable Overcabinet Monitor Mount.

The Pro Slide Overcabinet 182 ICW Monitor Mount features an articulating 182 ICW arm connected to a drop pole with an easy-to-use handle below the monitor.

- **Universal Track*** can mount above any cabinet. Competitor's mounts will only fit on their own proprietary cabinets.
- **Will Not Damage Cabinet** with vertical movement as mount includes adjustable stop.
- **Mount Slides** 22" (55.9 cm) along standard 28.4" (72.1 cm) track which can be customized to extended or reduced lengths.
- **Easy One-Finger Movement** vertically and horizontally without noisy chatter when the mount slides across the track.
- **Vertical Lift** is 15" (38.1 cm).
- **Does Not Require a Compressor** to operate.
- **Cycle-tested for 80,000 Slides** with no damage or noticeable wear.
- **Weight-tested on Standard Cabinet Material and Fasteners** for 166 lbs. (75 kg) with no damage to the mount or cabinet.
- **Cabling is Discreetly Hidden** in the slide track and internally through the mount.

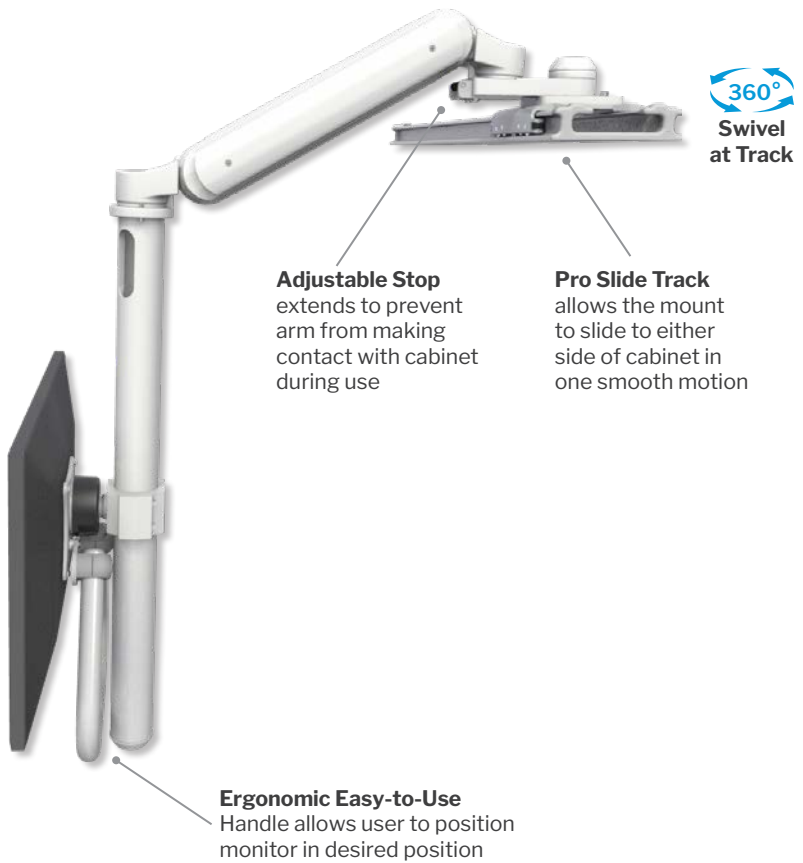


Specifications	
Load Capacity	18 lbs (8.2 kg)
Vertical Lift	16" (40.6 cm)**
Maximum Reach	27" (68.6 cm)
Track Length	28.4" (72.1 cm)*
Usable Track Slide Length	22" (55.9 cm)
Swivel at Mount (Track)	120°**
Screen Tilt	15°

*Custom tracks can be cut to length by request.

**Specification subject to the cabinet it's mounted to.

Cabinet, monitor, keyboard and mouse not included.



Pro Slide Overcabinet Monitor Mount Range of Movement

The Pro Slide track allows the mount to glide across the top of the cabinet to either side and conveniently stows out of the way when not in use.



Rotates 360° at track and 180° when against wall.



Features 15" (38.1 cm) of usable vertical movement.



Mount slides 22" (55.9 cm) along track. Custom track sizes available.

AccessMount™

Pro Slide 182 ICW Undercabinet Workstation

UL182i-EV7S-PS28-D0-KUB

Convenient and Durable Undercabinet Workstation.

The Pro Slide 182 ICW Undercabinet Workstation with Keyboard Tray features an articulating 182 arm connected to our standard KUB keyboard tray.

- **Universal Track*** can mount to underside of any cabinet. Competitor's mounts will only fit on their own proprietary cabinets.
- **Will Not Damage Cabinet** with vertical movement as mount includes adjustable stop.
- **Mount Slides** 21.6" (54.9 cm) along standard 28" (71.1 cm) track which can be customized to extended or reduced lengths.
- **Easy One-Finger Movement** vertically and horizontally without noisy chatter when the mount slides across the track.
- **Vertical Lift** is 24" (61 cm).
- **Horizontal Reach** is 68" (172.7 cm) along a standard track.
- **Does Not Require a Compressor** in order to operate.
- **Cycle-Tested for 80,000 Slides** without issues or noticeable wear.
- **Cabling is Discreetly Hidden and Protected** in the track and internally through the mount, giving longer life to your mount and devices.



Workstation is mounted and stowed beneath the cabinet.



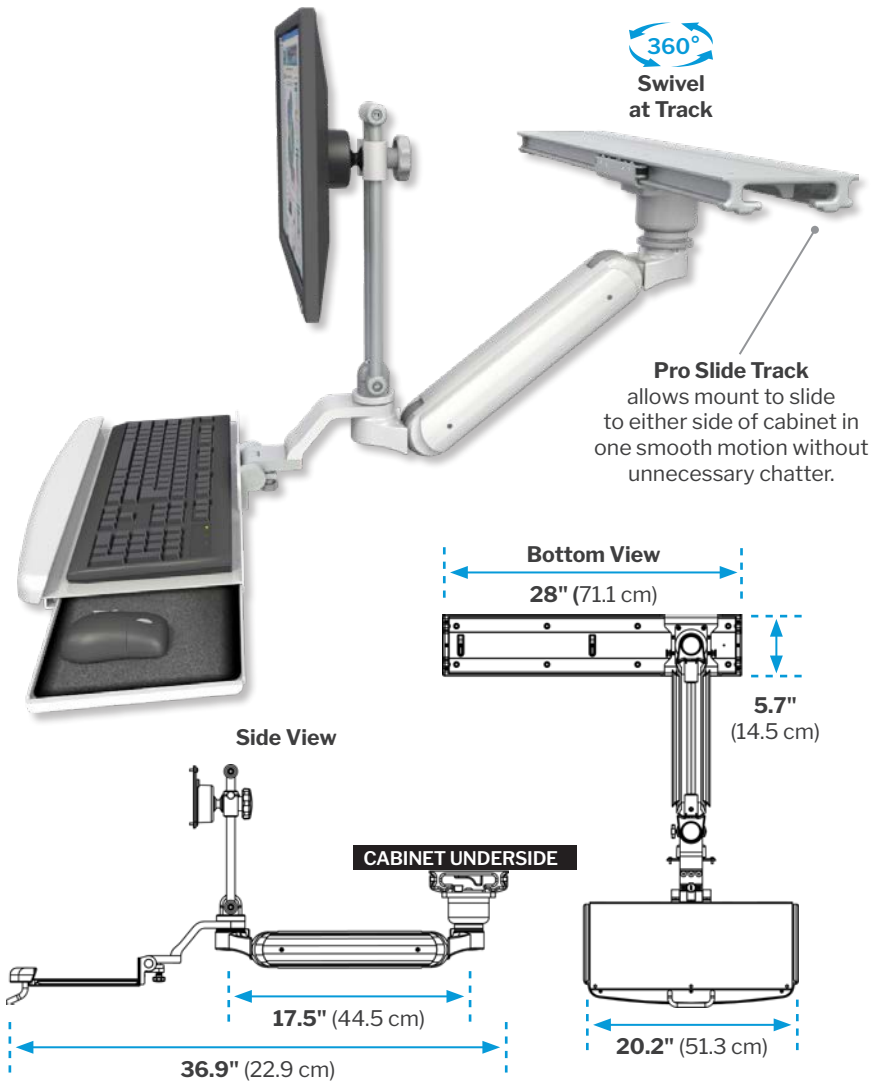
Undercabinet track offers smooth movement and wire management.

Specifications	
Load Capacity	0-28 lbs (0-12.7 kg)
Vertical Lift	16" (40.6 cm)**
Maximum Reach	37" (94 cm)
Usable Vertical Lift	15" (38.1 cm)
Track Length	28" (71.1 cm)*
Usable Track Slide Length	21.6" (54.9 cm)
Swivel at Track	180°
Stowed Depth	9.5" (24.1 cm)

*Custom tracks can be cut to length by request.

**Specification subject to the cabinet it's mounted to.

Cabinet, monitor, keyboard and mouse not included.



Pro Slide Undercabinet Workstation Range of Movement



The Pro Slide track allows the mount to glide beneath the cabinet to either side and conveniently stows out of the way when not in use. Mount slides 21.6" (54.9 cm) along track (UL182IEV7-PS28-D0-KUB model shown above).

AccessMount™

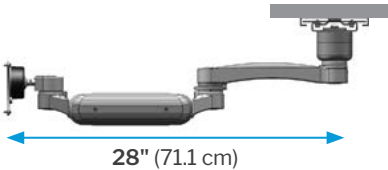
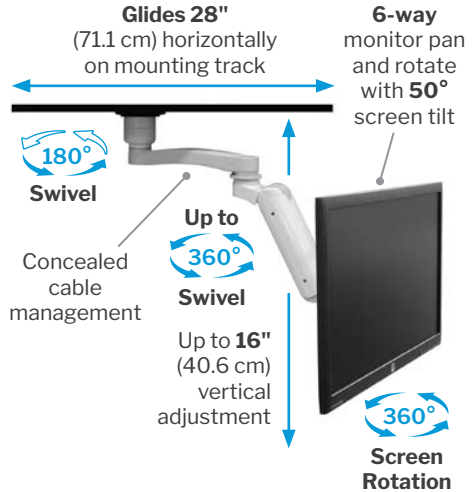
Pro Slide 180 ICW Undercabinet Monitor Mount

UL180i-BV-PS28-D1-A1

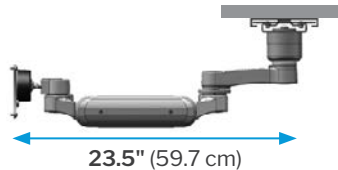
Monitor glides 28" horizontally on undercabinet track.

The patented AccessMount 180 ICW Undercabinet Monitor Mount delivers a full range of motion for your monitor, making it versatile and user-friendly. With up to 180° of vertical arm rotation and 360° of horizontal rotation, it ensures optimal positioning for any clinical workflow. Designed for tight spaces, the 180 ICW arm tucks neatly under the cabinet when not in use and offers three mounting options:

- Desk puck
- Short extension arm
- Standard extension arm.



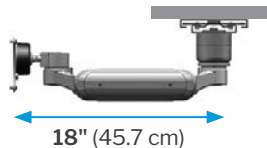
Ultra 180 arm mounted to 12" standard A1 Arm



Ultra 180 arm mounted to 6" short AS1 Arm

Specifications	
Load Capacity	28 lbs (12.7 kg)
Maximum Reach	30.5" (77.5 cm)
Vertical Adjust. Range	12" (77.5 cm)*
Horizontal Slide	28" (71.1 cm)
Arm Swivel	180°
Stowed Depth	10.5" (26.7 cm)
VESA Interface	75 mm and 100 mm

Monitor not included.



Ultra 180 arm mounted to 1" desk puck

* Specification subject to cabinet.

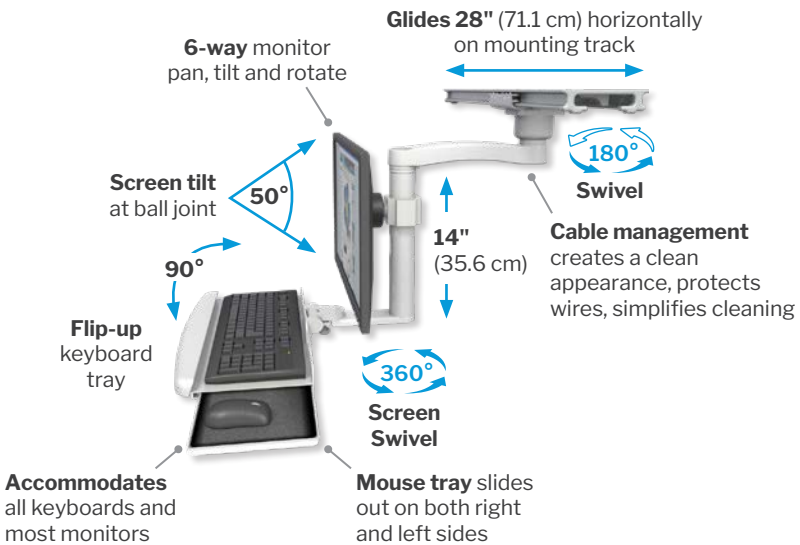
AccessMount™

Pro Slide Ultra ICW Undercabinet Workstation

ULBVI-PS28-D0-KDB-A1

Smooth-sliding workstation travels to either side of cabinet.

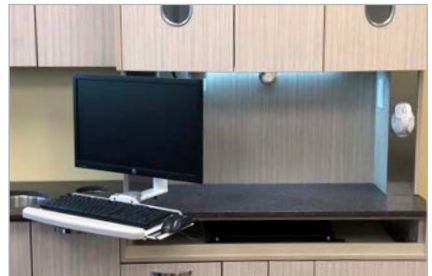
Our AccessMount Undercabinet Workstation mounts beneath overhead cabinets, pulls out when needed and folds out of the way when not in use. Personalize your workstation with a stowable worksurface tray or a flip-up keyboard tray and choose the color that complements your decor.



Specifications	
Load Capacity	28 lbs (12.7 kg)
Maximum Reach	30.5" (77.5 cm)
Horizontal Slide	28" (71 cm)
Arm Swivel at Mount	180°
Screen Swivel	180°
Screen Tilt	15°
Stowed Depth	10.5" (26.7 cm)
VESA Interface	75 mm and 100 mm

Monitor, keyboard and mouse not included.

Pro Slide Ultra ICW Undercabinet Workstation





Accessories and Add-Ons

Enhance Your Setup with Versatile Mounting Accessories.

TouchPoint Medical's wide range of accessories ensures your equipment mounting solutions meet your exact needs. From keyboard trays and CPU holders to cable management and power solutions, these add-ons improve organization, functionality and overall efficiency in any workspace.



For a full list of accessories,
please visit our website
or call our support team.

VESA Quick Connect (VQC) Plate



CPU with VQC plate shown being detached from back of monitor.



Monitor shown sliding from VQC plate base.

- Mounts vertically or horizontally.
- Device or monitor must have flat mounting surface to mount quick release plate or a recessed area that must be at least 5" x 5½".
- Easy access to remove monitor or device.
- Enhances TouchPoint Medical mounts.
- Locking set screen to prevent tampering.
- Attaches to all AccessMount monitor mounts.

Specifications	
Load Capacity	30 lbs (13.6 kg)
Dimensions	5" x 5½" x 1½" (12.7 cm x 13 cm x 1.3 cm)
VESA Interface	75 mm and 100 mm

Monitor and computer not included.

Optional Amenities



CH1
Device Cable Hook



THBVD
Small Triangle Handle



THBV Optional handle bar grip available

Wall Tracks

Tracks for MD, EV and T2EQ Series

The load of all your wall mounted workstation can be distributed along the length of the track. Tracks include wire management covers, mounting hardware and track end caps. Most TouchPoint Medical wall mounts can connect.



TMD19
Wall track
19"



TMD26
Wall track
26"



TMD36
Wall track
36"



TMD50
Wall track
50"

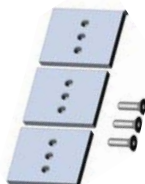
Track Style & Adapter Part Number		
Product	Ultra	Vertical MD
Ultra arm on W2	-	TAW2KIT
Ultra arm on W3	-	TAW3KIT
T2 & Elite arms	-	TAT2KIT
Frame CPU mount	TAICWCPUKIT	TACPUKIT
Clamp CPU mount	TAICWCPUKIT	TAEZMTKIT

Track adapter kits are available to fit most tracks from other major suppliers.

Track Adapters



TAW2KIT Universal
Flat Adapter



TAW3KIT Universal
Flat Adapter

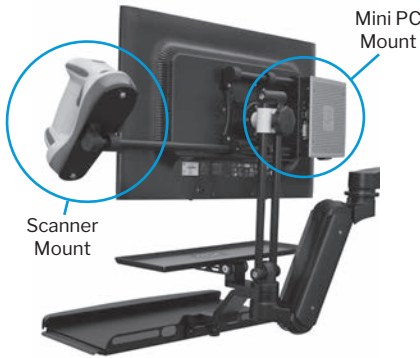


DODT Channel
Track Adapter



AMDT
Track Adapter

Behind-the-Monitor Mounts



Behind the Monitor Scanner Mount and Mini PC Mount

Attaches small form factor computers and scanners to all standard VESA mounts. Expands, contracts, tilts and mounts where you need it.



CPUMF shown mounted to the wall



MINIPC1212 & CPUMF shown mounted to back of monitor.

Small Form Factor Computer Mount

Sleek and sturdy case protects and neatly stores a wide range of small form factor computers (SFFC) and their components. Fits SFFCs up to 7.8" high and 1"-3" deep (2.5-19.7 cm x 7.6 cm). Mounts to back of monitor, track or wall.

CPU12

Protective Case Computer Mount

- Exterior dimensions: 13" wide x 14" tall x 3" deep (33 cm x 35.6 cm x 7.6 cm).
- Fits small form factor computers up to 8" wide x 9" high x 2" deep (20.3 cm x 22.9 cm x 5.1 cm).
- Compatible with 75 mm or 100 mm VESA patterns.
- Cover lifts off for easy access to interior components.
- Ventilation ports on each side prevent overheating of internal components.
- Cables are neatly stowed inside the case.



CPU and Device Mounts

AccessMount™ Computer Clamps

Designed for large and small form factor CPUs, these units are constructed from heavy-duty aluminum, with neoprene padding for protection. Multiple mounting capabilities.



Small CPU-SF
2" to 4.7" wide



Large CPU-FF
4.6" to 8" wide

Specifications	AccessMount™ Computer Clamps
Load Capacity	30 lbs (13.6 kg)
CPU-SF Horiz. Adjust.	2"-4.7" (5.1-11.9 cm)
CPU-FF Horiz. Adjust.	4.6"-8" (11.7-20.3 cm)

Computer not included.

AccessMount™ Computer Frames

The CPU Mini, CPU 2.8, CPU 5 and CPU 7 mounts were designed with a keyhole wall plate that makes it easy to take the CPU off the wall mount for maintenance. Includes security set screw.



Mini-T CPU-MINI
1.0" to 2.2" wide



Large CPU-7
7" to 11" wide

Specifications	AccessMount™ Computer Frames
Load Capacity	45 lbs (20.4 kg)
CPU-MINIT Horiz. Adjust.	1"-2.2" (2.5-5.6 cm)
CPU-MINI Horiz. Adjust.	1.9"-3.2" (4.8-8.1 cm)
Small CPU-2.8 Horiz. Adjust.	2.8"-5" (7.1-12.7 cm)
Medium CPU-5 Horiz. Adjust.	5"-7" (12.7-17.8 cm)
Large CPU-7 Horiz. Adjust.	7"-11" (17.8-27.9 cm)

Computer not included.

*All sizes except CPU-MINIT.

Fixed CPU Mount

FM-25 (See page 31)

PAM Power Adapter Mount

Strap your computer or monitor's power adapter to our wall track using this accessory.



Color Options

Match or complement your decor with our selection of standard and premium custom colors.

Standard Colors

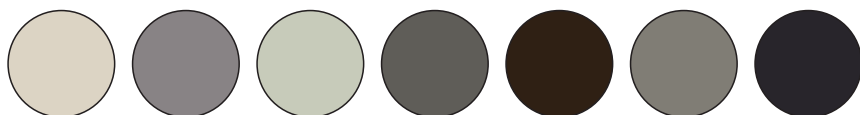


Medical White (MW)

Black (WB)

Quartz Gray (QG)

Custom Colors***



Tan (T)

Arctic Silver (SL)

Forest Gray (FG)

Pewter (PW)

Bronze (BR)

Shadow (SH)

Charcoal (CH)

Color swatches are not an exact match due to variations in printing. Please ask your representative for a paint chip sample.

*** Subject to custom color fee and longer lead time.

Product Warranty

What the Warranty Covers:

TouchPoint Medical warrants our product, under normal use, is free from any defects in materials and workmanship during the warranty period. TouchPoint Medical, will, at its sole discretion, repair or replace the product with the same or like product.

How Long the Warranty is Effective:

All TouchPoint Medical components are warranted for 5 years from the original date of purchase, unless otherwise noted.

Who the Warranty Covers:

TouchPoint Medical extends the warranty to the first consumer purchaser when sold by TouchPoint Medical, or an authorized dealer or distributor.

What the Warranty Does Not Cover:

1. Damage, deterioration, or malfunction resulting from any of the following:
 - Accident, misuse, neglect, fire, water, lightning, or other acts of nature; unauthorized product modification, or failure to follow instructions supplied with the product
 - Repair or attempted repair by anyone not authorized by TouchPoint Medical.
 - Removal or installation of the product

- Use of supplies or parts not meeting TouchPoint Medical's specifications
 - Normal wear and tear
2. Any products used for rental purposes
 3. Any TouchPoint Medical product that has been custom modified by anyone other than TouchPoint Medical
 4. Removal, installation, or set up service charges.
 5. Freight charges to return the product to TouchPoint Medical are the customer's responsibility.
 - On warranty repairs, TouchPoint Medical will return product to the customer via ground freight. International customers are responsible for the freight charges both ways, including customs, duties and taxes.

How to Get Service:

To obtain service warranty, you will be required to provide the following:

1. The original dated invoice
2. Your name
3. Your address
4. A description of the problem
5. The part number and color

For information about receiving service under warranty, contact our Customer Support at 1-800-558-4435 or sales@icwusa.com.

Return Policy

Thank you for purchasing your TouchPoint Medical mounting products. If you are not satisfied with your order, you may return the product(s) within 90 days of the date of invoice with a minimum 20% restocking fee.

Orders over 10 mounts are not returnable unless approved on an order by order basis. All returns are subject to a repair fee based on the condition of the returned product.

No returns on custom modified products or OEM (original equipment manufacturers) units.

Customers must request a Return Merchandise Authorization (RMA) from TouchPoint Medical by phone. Please call 800-558-4435 between the hours of 6:00 a.m. - 4:00 p.m. Pacific Time.

Be prepared with the following information:

- Invoice number, sales order number or Purchase Order number
- Part number(s) and product(s) being returned
- Detailed explanation of reason for return
- Name of the person who ordered the product, their phone number and email address
- Name of a user of the product, their phone number and email address

Please follow these instructions to return your product:

1. RMAs must be obtained within 90 days of the date of invoice.
 - No return requests will be granted for discontinued products or custom modified products, including custom paint or coating without prior approval.

2. Return authorization will be confirmed by e-mail and will include a Return Merchandise Authorization label provided by TouchPoint Medical that is to be inserted into the packaging and attached to the outside of the packaging.
 - Merchandise must be returned in the original packaging
 - Merchandise must prominently display the RMA number on the outside of the packaging
 - Package must contain a signed copy of the RMA with the product
 - Customer is responsible for return freight costs and any damages caused in shipping
 - TouchPoint Medical must receive the product within 15 days from the issue date of the RMA to ensure proper credit
3. Unauthorized returns or any returned merchandise that does not have an RMA number will be quarantined. Quarantined product will be returned to the customer at the customer's expense. Quarantined product not picked up within 15 days of notification will be recycled, no credit will be issued.
4. Regularly stocked TouchPoint Medical products that are returned after 90 days from the date of invoice will be charged a minimum 20% restocking fee. No returns for products over 90 days. Additional fees for damaged product or parts that need rework may also apply.

A Global Business with a Local Touch

TouchPoint Medical brings a global network of manufacturing, quality, and engineering to the forefront of the medical industry. From quality and performance, to aesthetics and ergonomics, we know small touches make a big difference to our customers. We provide customer-driven medical technology and service solutions to thousands of hospitals and health care facilities around the world.



BRINGING CARE FORWARD.™

AccessMount Headquarters
Manufacturing, Assembly
and Technical Support Office
Medford, OR, USA
Tel: (1) 541 558 4435

Global Headquarters & Americas
Customer and Technical
Support Office
Odessa, FL, USA
Tel: (1) 800 947 3901

European Headquarters
Customer and Technical
Support Office
Kruiabeke, Belgium
Tel: (32) 3 432 53 00

**China, Taiwan, Japan,
Korea, Hong Kong**
Shaanxi Sheng, China
Tel: (86) 29 8111 6011

United Kingdom
Rugby, United
Kingdom
Tel: (44) (0) 844 576 1247

Middle East / Africa
Dubai, United Arab
Emirates
Tel: (971) 55 596 3092

SE Asia, AUS/NZ
Victoria, Australia
Tel: (613) 9330 5050

Nordic Region
Asker, Norway
Tel: (47) 31 90 97 60
Jonsered, Sweden
Tel: (46) (0) 31 757 20 50