



AccessMount™ ICW

Workstations and Equipment Mounting Systems

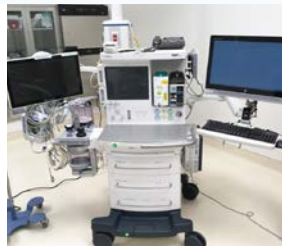
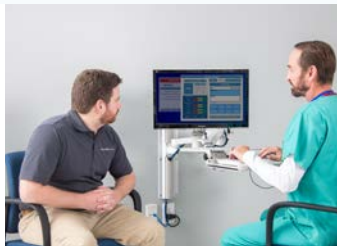
Enhance patient care with TouchPoint Medical's workstation and equipment mounts. Designed for durability, flexibility, and seamless integration, our solutions optimize your workspace while ensuring reliability, organization, and effortless adjustability in any clinical environment.

TouchPoint
MEDICAL 

Optimized Equipment Mounting for Healthcare

TouchPoint Medical's workstation and equipment mounts are designed to enhance workflow efficiency, securely positioning your equipment so you can focus on patient care. Optimize your workspace with mounting solutions built for reliability and performance, ensuring seamless integration with various clinical environments.

- **Versatile & Adaptable** – Seamlessly integrates with various clinical settings.
- **Flexible Configurations** – Supports simple documentation, telehealth, and high-load applications.
- **Concealed Cable Management** – Keeps cables secure, organized, and easy to access.
- **Easy to Clean** – Smooth surfaces and durable coatings ensure compliance with healthcare standards.



KEY BENEFITS



Concealed Cable Management



Easy Cleaning



Easy Mounting Wall Track Options



Variety of Configurations



Reliable Position Technology



Extension Arm Options

Quick Reference	4-5
Workstations	6-15
AccessMount™ 180 ICW and 182 ICW	8-9
AccessMount™ 5216 ICW and 5220 ICW	10-11
AccessMount™ 6220 ICW	12-13
AccessMount™ VT Series	14-15
Equipment Mounting Systems	16-29
AccessMount™ Titan Elite	18-19
AccessMount™ 5120 ICW	20-21
AccessMount™ 560i ICW	22-23
AccessMount™ Overhead Arm	24-25
AccessMount™ Desk Clamp	26
AccessMount™ Tablet	27
AccessMount™ EV Series	28
AccessMount™ GX Series	29
Accessories and Add-Ons	30-37
Color Options	38
Warranty	39

Wall Mounts



Overhead Arm
UL1821-OHAT



5220 ICW
ELP5220-WT-KUB



5216 ICW
ELP5216-WT-KUB

Load Capacity	28 lbs (12.7 kg)	28 lbs (12.7 kg)	28 lbs (12.7 kg)
Vertical Adjust. Range	24 in (61.0 cm)	38 in (96.5cm)	28 in (71.1cm)
Maximum Reach	78.5 in (199.4 cm)	68.5 in (174.0 cm)	63.5 in (161.3 cm)
Arm Swivel at Mount	180°	180°	180°
Screen Swivel at Mount	180°	180°	180°
Screen Tilt	90°	50°	50°
Stowed Depth	4 in (10.2 cm)	10.5 in (26.7 cm)	10.5 in (26.7 cm)
Monitor Rotation	N/A	Landscape<->Portrait	Landscape<->Portrait
Vesa Interface	75 & 100 mm	75 & 100 mm	75 & 100 mm
Page Ref.	24-25	10-11	10-11



180 ICW
UL180HEV7-W3-KUS-A1



182 ICW
UL182HEV7-W3-KUB



VT21 Series
VT21-HDMR-KUW

Load Capacity	0-42 lbs (19.0 kg)	7-45 lbs (3.2 - 20.4 kg)	20-35 lbs (9.0 - 15.9 kg)
Vertical Adjust. Range	16 in (40.6 cm)	24 in (61.0 cm)	20 in (50.8 cm)
Maximum Reach	47 in (119.4 cm)	35.5 in (90.2 cm)	22.5 in (57.2 cm)
Arm Swivel at Mount	180°	180°	N/A
Screen Swivel at Mount	180°	180°	15°
Screen Tilt	50°	50°	50°
Stowed Depth	10 in (25.4 cm)	9.5 in (24.1 cm)	8 in (20.3 cm)
Monitor Rotation	Landscape<->Portrait	Landscape<->Portrait	Landscape<->Portrait
Vesa Interface	75 & 100 mm	75 & 100 mm	75 & 100 mm
Page Ref.	8-9	8-9	14-15

Ceiling Mounts



6220 ICW
ELP6220-XT24-KUB



Titan Elite
T2EQ-C8X5



5120 ICW
ELQ5120-C8X12-MW

Load Capacity	28 lbs (12.7 kg)	28 lbs (12.7 kg)	28 lbs (12.7 kg)
Vertical Adjust. Range	38 in (96.5 cm)	19 in (48.3 cm)	21 in (53.3 cm)
Maximum Reach	40 in (101.6 cm)	44.5 in (113.0 cm)	43.75 in (111.1 cm)
Arm Swivel at Mount	360°	360°	180°
Screen Swivel at Mount	180°	180°	360°
Screen Tilt	50°	90°	180°
Stowed Depth	14 in (35.6 cm)	7.5 in (19.1 cm)	10.5" (26.7 cm)
Monitor Rotation	Landscape<>Portrait	Landscape<>Portrait	Landscape<>Portrait
Vesa Interface	75 & 100 mm	75 & 100 mm	75 & 100 mm
Page Ref.	12-13	18-19	20-21

Desk Mounts



EV SERIES
EV710-DV7-AS1



TABLET ICW
TABSDM



180 ICW
UL180HEV7-D5-KDB-A1

Load Capacity	18 lbs (8.2 kg)	6 lbs (2.7 kg)	0-32 lbs (0-14.5 kg)
Vertical Adjust. Range	9.5 in (24.1 cm) monitor mount only	7.5 in (19.1 cm)	16 in (40.6 cm)
Maximum Reach	8.5 in (21.6 cm)	17.5 in (44.5 cm)	45.5 in (115.6 cm)
Arm Swivel at Mount	360°	360°	360°
Screen Swivel at Mount	180°	N/A	180°
Screen Tilt	50°	270°	50°
Stowed Depth	5 in (12.7 cm)	10 in (25.4 cm)	8.5 in (21.6 cm)
Monitor Rotation	Landscape<>Portrait	Landscape<>Portrait	Landscape<>Portrait
Vesa Interface	75 & 100 mm	N/A	75 & 100 mm
Page Ref.	29	27	8-9



Workstations

Customize Your Workstation for Any Healthcare Environment.

TouchPoint Medical's mounted workstations provide flexible, space-saving solutions purposefully designed to improve clinical workflow and support high-quality patient care. With options from wall mounting to seamless integration into medical carts, these workstations ensure caregivers have secure, ergonomic access to vital technology at the point of care. Built for durability and ease of use, they help streamline tasks, reduce clutter, and create more efficient, responsive care environments.



AccessMount™

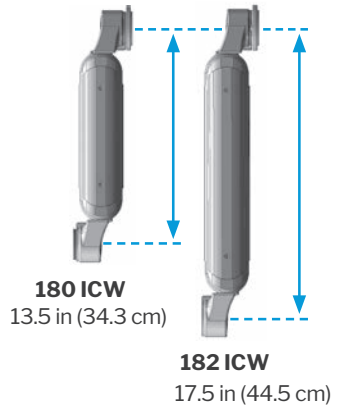
180 ICW and 182 ICW

Ergonomically superior. Articulate. Built for clinical excellence.

Maximize your clinical workspace with the most versatile and ergonomic short-arm mounting solution in healthcare.

- Full articulation for maximum flexibility
- Ergonomic design for caregiver comfort
- Compact and space-saving
- 360° horizontal & 180° vertical rotation
- Clean, integrated cable management
- Quiet, durable operation
- Protected by U.S. Patent 9,243,743

Length Comparison



Mounting Location

- Wall
- Cabinet
- Desk
- Pole
- Headwall
- Cart

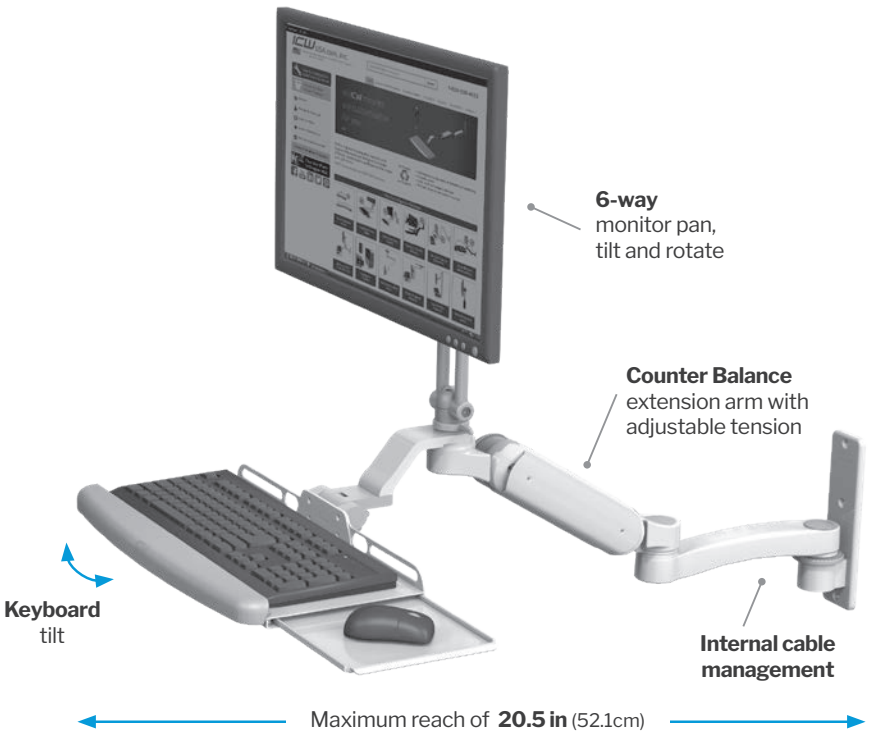
Specifications	UL180-EV7-W3-KUB-A1	UL182-HEV7-W3-KUB
Load Capacity	0-32 lbs (14.5 kg)	0-32 lbs (0-14.5 kg)
	0-42 lbs (0-19.1 kg) heavy duty	7-45 lbs (3.2-20.4 kg) heavy duty
Vertical Adjust. Range	16 in (40.6 cm)	24 in (61 cm)
Maximum Reach	20.5 in (52.1cm)	35.5 in (90.2 cm)
Arm Swivel at Mount	180°	180°
Screen Swivel at Mount	360°	180°
Screen Tilt	60°	50°
Stowed Depth	9.5 in (24.1cm)	9.5 in (24.1 cm)
Monitor Rotation	Landscape<->Portrait	Landscape<->Portrait
Vesa Interface	75 & 100 mm	75 & 100 mm

Stowed View

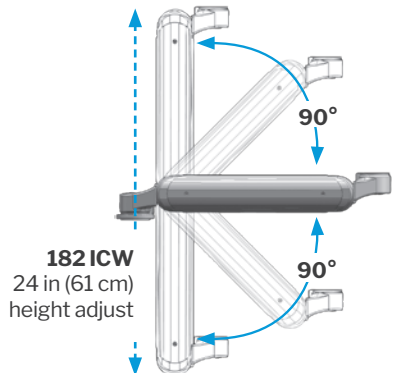
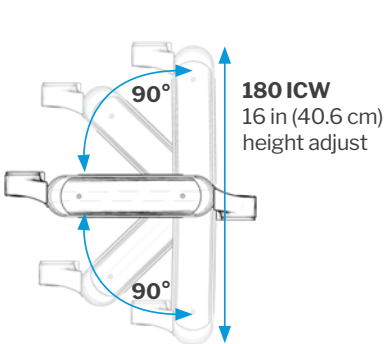


Monitor, keyboard, and mouse not included.

Product Shown UL180EV7-W3-KUB-A1



Range of Motion



AccessMount™

5216 ICW and 5220 ICW

Our best-selling true sit-stand workstation.

The AccessMount 5216 ICW and 5220 ICW desk mounts offer the longest reach in its class—pairing effortless articulation with rock-solid support and a space-saving design.

- Supports a wide range of user heights and preferences with smooth, easy height adjustment.
- Industry-leading horizontal and vertical reach with fluid articulation at every joint.
- Helps minimize the effects of prolonged sitting and reduces strain on the neck, back, and wrists.
- Folds into a low-profile position to free up space for patients, families, and care teams.
- Powder-coated finish and internal cable management simplify cleaning and support infection control protocols.

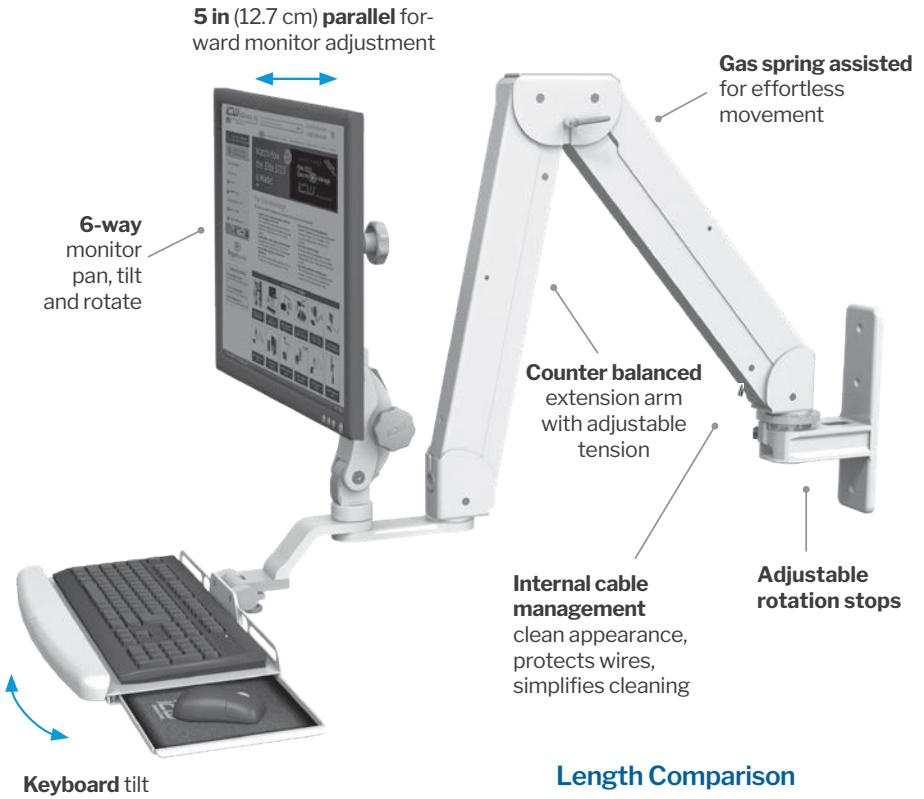
Mounting Location

- Wall
- Cabinet
- Headwall
- Pole

Specifications	ELP5216-WT-KUS	ELP5220-WT-KUB
Load Capacity	28 lbs (12.7 kg)	28 lbs (12.7 kg)
Vertical Adjust. Range	28 in (71.1 cm)	38 in (96.5cm)
Maximum Reach	63.5 in (161.3 cm)	68.5 in (174.0 cm)
Arm Swivel at Mount	180°	180°
Screen Swivel at Mount	180°	180°
Screen Tilt	50°	50°
Stowed Depth	10.5 in (26.7 cm)	10.5 in (26.7 cm)
Monitor Rotation	Landscape<=>Portrait	Landscape<=>Portrait
Vesa Interface	75 & 100 mm	75 & 100 mm

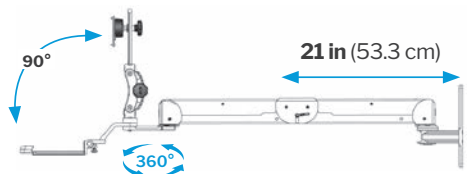
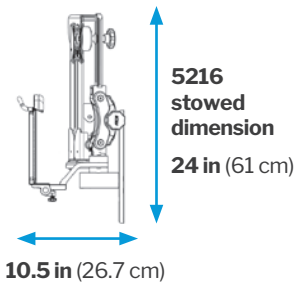
Monitor, keyboard, and mouse not included.

Product Shown ELP5220-WT-KUB



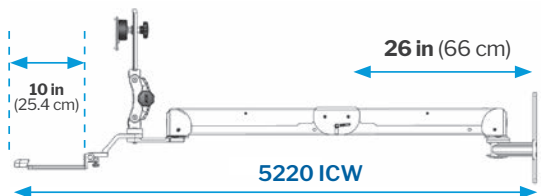
Length Comparison

Stowed View



5216 ICW

Reaches **58 in (147.3 cm)** with Flip Up Tray
63.5 in (161.3 cm) with Keyboard Ultra Slide



5220 ICW

Maximum reach of **68.5 in (174.0 cm)**

AccessMount™

6220 ICW

ELP6220-XT12-KUB

The perfect ceiling mount with LCD and keyboard.

- Sleek and sturdy construction and engineered for years of reliable service.
- Popular workstation stows conveniently overhead.
- Fully concealed internal cable management protects cabling.
- Removable stop pin prevents mount from turning 360° and twisting cables internally.
- Adjustable drop pole has two retracting options – 19 in to 26 in (48.3 cm to 66 cm) and 26 in to 37 in (66 cm to 94 cm).
- Stows safely out of the way, overhead above the user at 6ft 6 in.

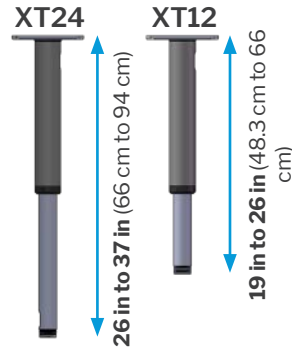
Mounting Location

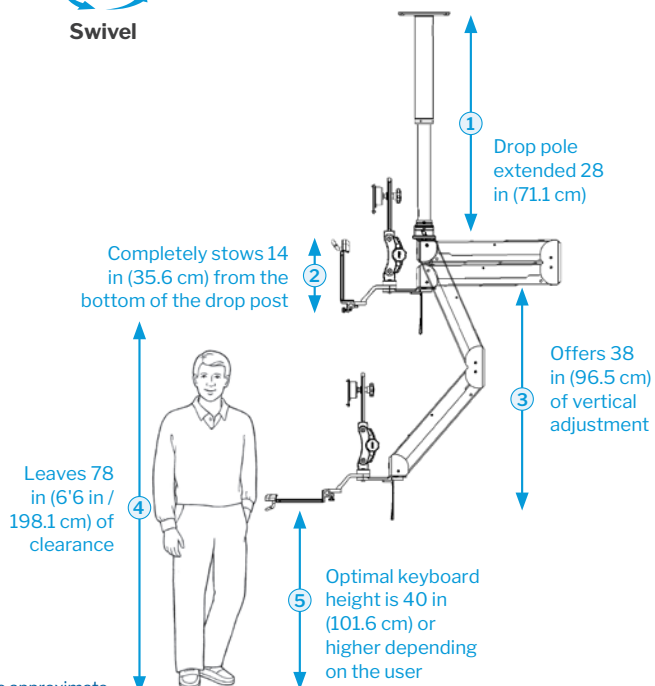
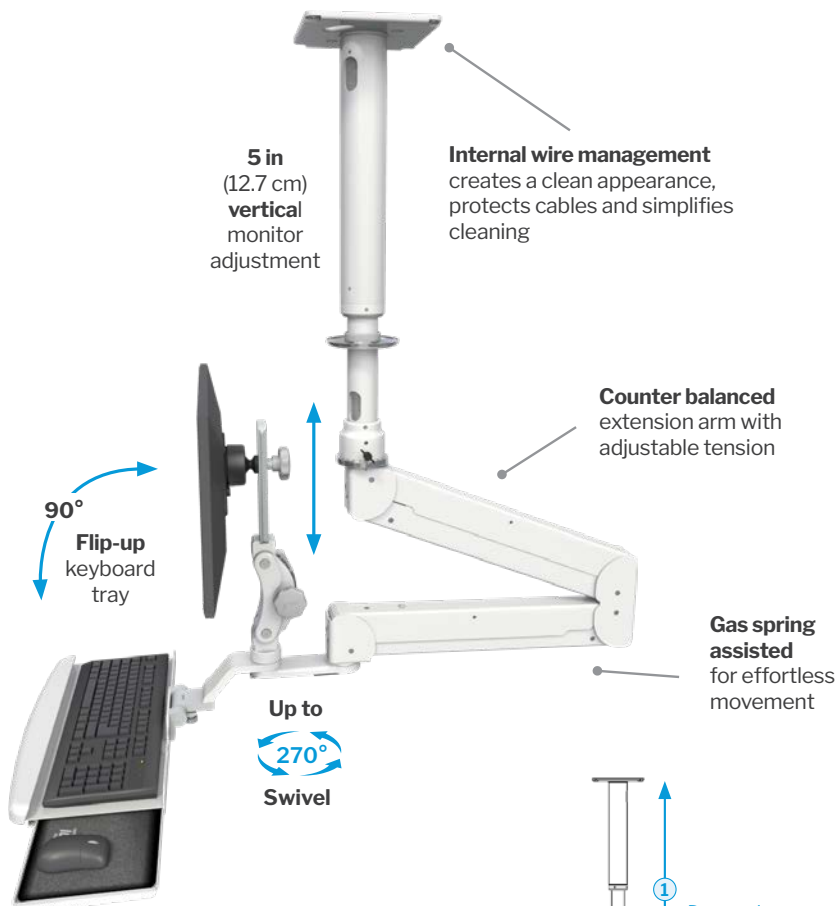
- Ceiling

Specifications	ELP6220-XT12-KUB
Load Capacity	28 lbs (12.7 kg)
Vertical Adjust. Range	38 in (96.5 cm)
Maximum Reach	40 in (101.6 cm)
Arm Swivel at Mount	360°
Screen Swivel at Mount	180°
Screen Tilt	50°
Stowed Depth	14 in (35.6 cm)
Monitor Rotation	Landscape<->Portrait
Vesa Interface	75 & 100 mm

Monitor, keyboard, and mouse not included.

Adjustable Drop Pole Options





10-foot (304.8 cm) Ceiling Installation

All lengths in this diagram are approximate.

AccessMount™

VT Series

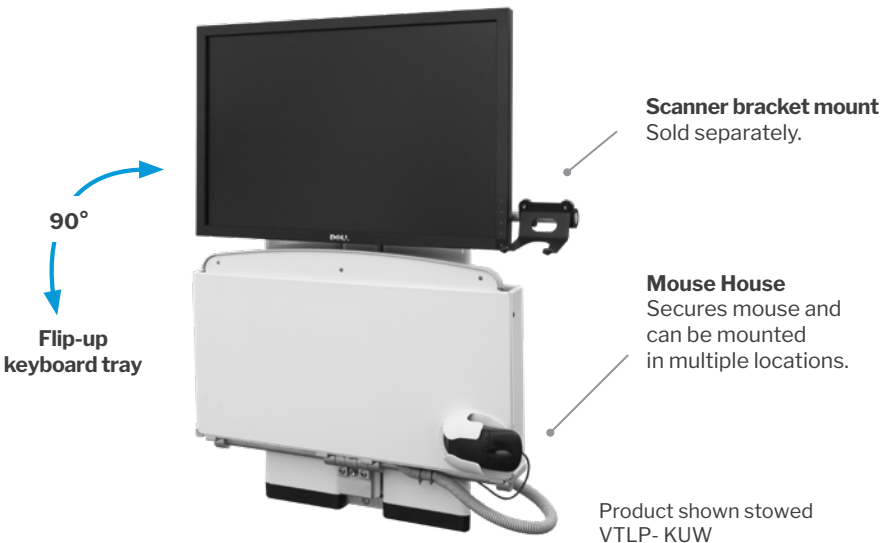
Available in three models

Slim, smart, and built for high-traffic clinical spaces.

- Low-profile design with < 4 in of stowed depth—ideal for high-traffic healthcare environments.
- VESA compatible mount supports a wide range of flat-panel displays.
- Offers 21 in of vertical movement to support sit-stand flexibility.
- Provides 15° of total keyboard tilt for personalized comfort.
- Built-in, secure cable management keeps workspaces organized and easy to clean.
- Load capacity: ideal for monitors, small devices, or lightweight peripherals.

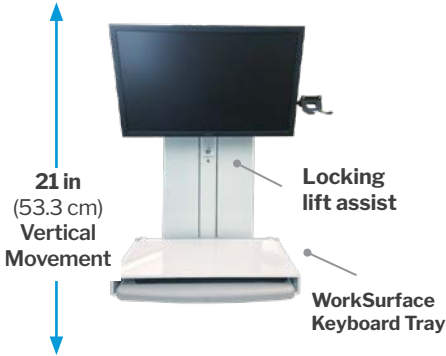
Mounting Location

- Wall
- Cabinet



Single Monitor

VT21-KUW



Specifications	VT21-KUW
Load Capacity	10-25 lbs (4.5 - 11.3 kg)
Vertical Adjust. Range	20 in (50.8 cm)
Maximum Reach	22.5 in (57.2 cm)
Screen Swivel at Mount	15°
Screen Tilt	15°
Stowed Depth	6 in (15.2 cm)
Monitor Rotation	Landscape<->Portrait
Vesa Interface	75 & 100 mm

Monitor, keyboard, and mouse not included.

Dual Monitor

VT21-HDMR-KUW



Specifications	VT21-HDMR-KUW
Load Capacity	20-35 lbs (9.0 - 15.9 kg)
Vertical Adjust. Range	20 in (50.8 cm)
Maximum Reach	22.5 in (57.2 cm)
Screen Swivel at Mount	15°
Screen Tilt	50°
Stowed Depth	8 in (20.3 cm)
Monitor Rotation	Landscape<->Portrait
Vesa Interface	75 & 100 mm

Monitor, keyboard, and mouse not included.

Low Profile

VTLP-KUW



Specifications	VTLP-KUW
Load Capacity	10-25 lbs (4.5 - 11.3 kg)
Vertical Adjust. Range	20 in (50.8 cm)
Maximum Reach	22.5 in (57.2 cm)
Stowed Depth	<4 in (10.2 cm)
Vesa Interface	75 & 100 mm

Monitor, keyboard, and mouse not included.



Equipment Mounting Systems

Optimize Workflow with Reliable, Space-Saving Solutions

TouchPoint Medical's equipment mounting systems provide secure, ergonomic solutions for mounting medical devices, monitors, and accessories. Designed for stability and flexibility, these mounts enhance efficiency, maximize workspace, and support seamless patient care in any clinical setting.



AccessMount™

Titan Elite

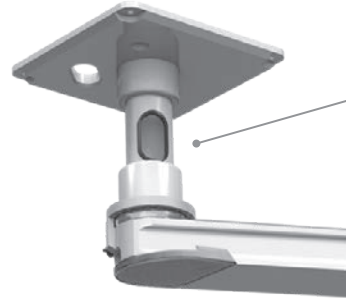
T2EQ-C8X5

Ideal for emergency departments, operating rooms and just about any healthcare setting, this monitor mount provides effortless positioning.

The Titan Elite ceiling mount allows a monitor to be securely mounted from the ceiling or headwall shelf, pulled down when needed, then stowed up and out of the way. With multiple pivot points, this arm enables vertical and horizontal adjustments along with 360° of rotation.

Mounting Location

- Ceiling



Arm Swivel at Mount

Counter-balanced extension arm with adjustable arm tension

Screen Tilt at ball joint

90°



Specifications	T2EQ-C8X5
Load Capacity	28 lbs (12.7 kg)
Vertical Adjust. Range	19 in (48.3 cm)
Maximum Reach	44.5 in (113.0 cm)
Arm Swivel at Mount	360°
Screen Swivel at Mount	180°
Screen Tilt	90°
Stowed Depth	7.5 in (19.1 cm)
Monitor Rotation	Landscape<->Portrait
Vesa Interface	75 & 100 mm

Monitor not included.

5 in (12.7 cm)
extension pipe included.
Additional extension
pipe options available

T2EQ ICW arm options
The arm can be ordered in
a 12 in length to fit smaller
spaces. The 20 in length is
shown here.



**Swivel
at joint**

**Brake and
adjustable
rotation stops**
protect your
equipment and
facility

90°

Internal wire management
creates a clean appearance, protects
cables and simplifies cleaning



**Screen
Swivel**

Ceiling Mount Extension Pipe Options



XE5

5 in
(12.7 cm)



XE12

12 in
(30.5 cm)



XE24

24 in
(61 cm)



XE36

36 in
(91.4 cm)

AccessMount™

5120 ICW

ELQ5120-C8X5

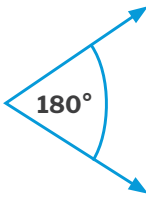
This versatile, easy to maneuver monitor mount can be positioned with one hand.

The 5120 ICW mount was designed to move with a feather-light touch. It features 90° of tilt at each joint with the Quicklink push button adjustment plus 50° monitor tilt and pivot at its compact ball joint.

Mounting Location

- Ceiling
- Pole

Screen Tilt
at ball joint



Counter
balanced
lift arm with
adjustable
tension

360°
Swivel

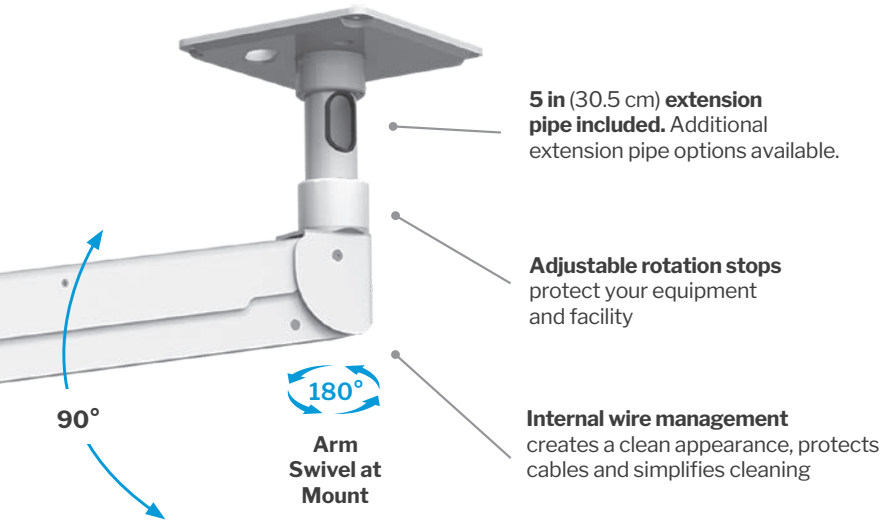
90°

360°
Screen
Swivel



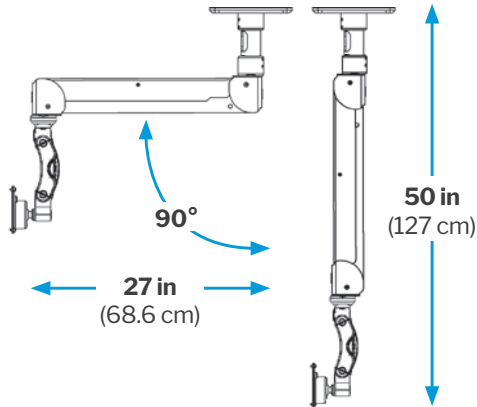
Specifications	ELQ5120-C8X5
Load Capacity	28 lbs (12.7 kg)
Vertical Adjust. Range	21 in (53.3 cm)
Maximum Reach	43.75 in (111.1 cm)
Arm Swivel at Mount	180°
Screen Swivel at Mount	360°
Screen Tilt	180°
Stowed Depth	10.5" (26.7 cm)
Monitor Rotation	Landscape<->Portrait
Vesa Interface	75 & 100 mm

Monitor not included.



Quicklink push button tilt adjustment provides 90° of tilt at two joints

Vertical Range of Motion



AccessMount™

560i ICW

UL560i-C8X12-MW

Flexible positioning. Strong, sleek performance.

The 560i ICW arm delivers smooth, full-range articulation for enhanced visibility and user comfort. Featuring a 6-inch vertical adjustment via the integrated Quicklink adjuster, this arm makes it easy to position your monitor exactly where it's needed—effortlessly and securely.

Engineered for durability providing enhanced strength and stability for demanding healthcare or technical environments.

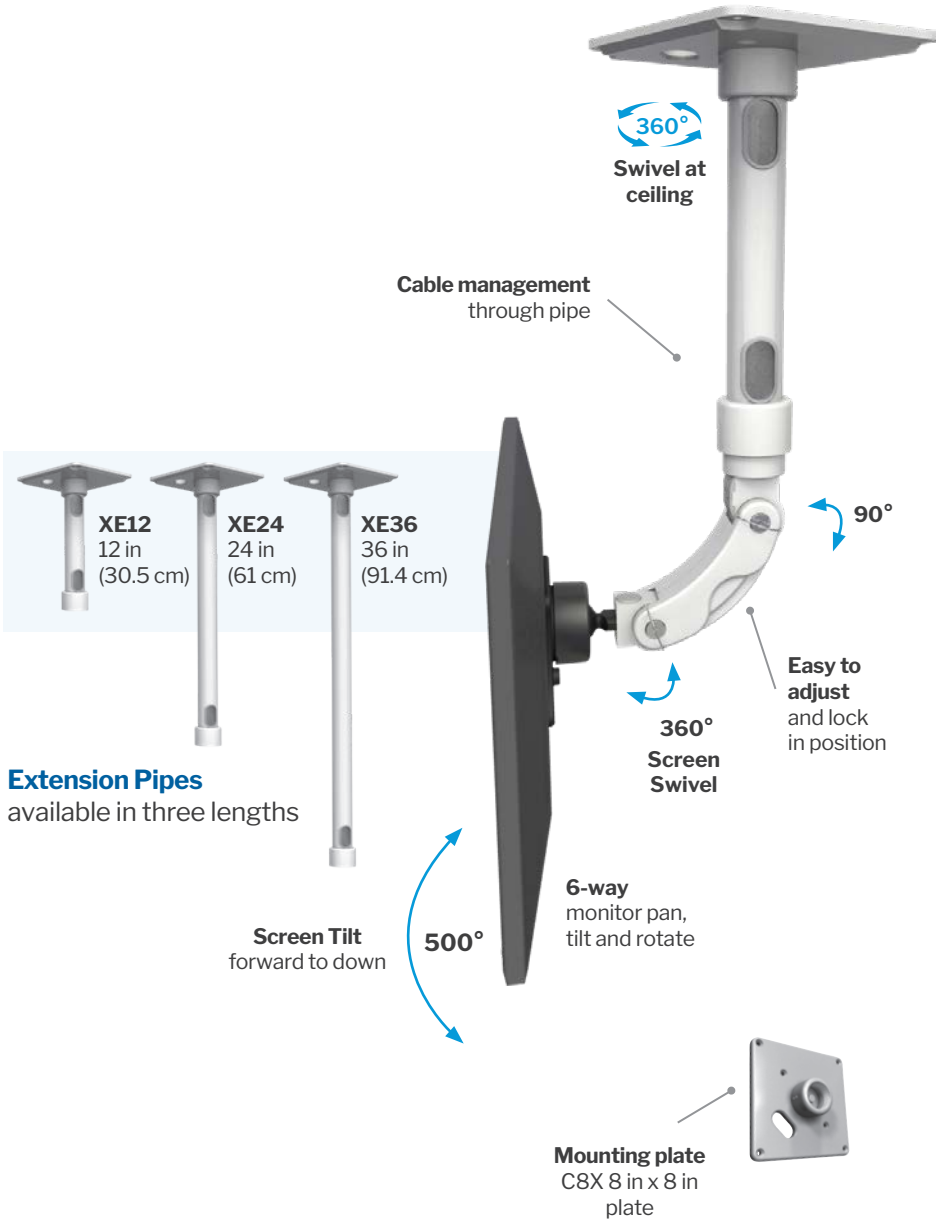
Crafted from solid billet aluminum and finished in a high-gloss white powder coat, the 560i ICW mount resists wear while blending seamlessly into clinical or clean-room settings. Each unit is hand-assembled to ensure the highest level of quality and performance—right out of the box.

Mounting Location

- Ceiling

Specifications	UL560i-C8X12-MW
Load Capacity	28 lbs (12.7 kg)
Vertical Adjust. Range	6 in (15.2 cm)
Screen Swivel at Mount	360°
Screen Tilt	500° (forward to down)
Monitor Rotation	Landscape<>Portrait
Vesa Interface	75 & 100 mm

Monitor not included.



AccessMount™ Overhead Arm

UL182i-OHAT

Exceptional reach for a monitor.

TouchPoint Medical's unique overhead mounting arm is built for demanding healthcare environments—delivering extended reach and smooth, flexible motion for monitors in patient rooms, procedure areas, and workstations. It can be mounted to a wall using a track or plate, or securely installed within or above cabinetry to meet the specific needs of your clinical space.

- Attaches to the wall or above a cabinet, providing 180° of horizontal rotation at the mount.
- Conveniently stows from the wall and monitor can be pulled out when needed.
- Internal wire management for regular or low voltage.
- Power coated for durability in your choice of 10 color options.



Product Shown UL182i-OHAT

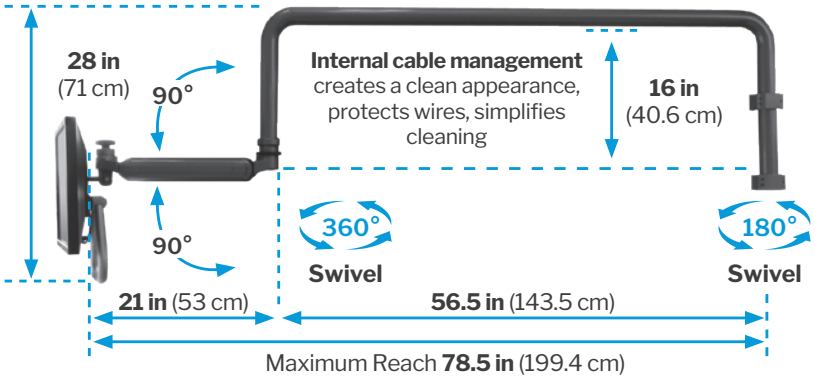
Mounting Location

- Wall

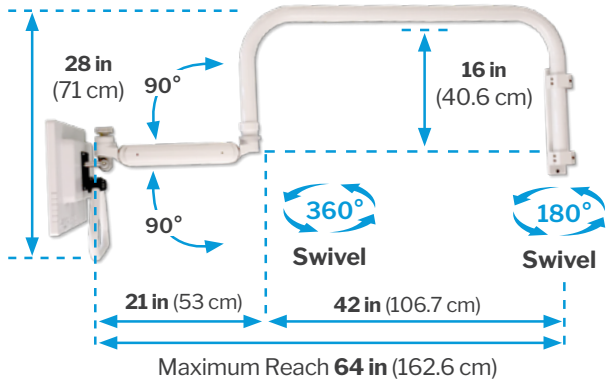
Specifications	Standard Overhead Arm UL182i-OHAT/OHAP	Short Overhead Arm UL182i-OHATS/OHAPS
Load Capacity	28 lbs (12.7 kg)	28 lbs (12.7 kg)
Vertical Adjust. Range	24 in (61.0 cm)	24 in (61.0 cm)
Maximum Reach	78.5 in (199.4 cm)	64 in (162.6 cm)
Arm Swivel at Mount	180°	180°
Screen Swivel at Mount	180°	180°
Screen Tilt	90°	90°
Stowed Depth	4 in (10.2 cm)	4 in (10.2 cm)
Vesa Interface	75 & 100 mm	75 & 100 mm

Monitor, keyboard, and mouse not included.

Standard Overhead Arm UL182i-OHAT/OHAP



Short Overhead Arm UL182i-OHATS/OHAPS



AccessMount™

Desk Clamp

ELP5216-CT2-KDB

Strong vice-style clamp can mount workstation or monitors.

- **Desk Mount Heights** available for most TouchPoint Medical mount configurations.
- **Rubber Pads** protect work surfaces from damage during desk mount clamp placement or location readjustment.
- **User-friendly** vice-style clamp makes workstation easy to remove, reattach or readjust along the desk's surface.
- **Solid Support** for workstations with dual monitors.
- **Ideal Mount** for offices and temporary workstations.
- **Load capacity** depends on the capacity of the components mounted on the clamp. The clamp does not decrease or increase the mount's load capacity.



Mounting Location

- Desk

Specifications	ELP5216-CT2-KDB
Load Capacity	28 lbs (12.7 kg)
Vertical Adjust. Range	28 in (71.1 cm)
Maximum Reach	53.5 in (135.9 cm)
Arm Swivel at Mount	180°
Screen Swivel at Mount	180°
Screen Tilt	50°
Stowed Depth	10.5 in (26.7 cm)
Monitor Rotation	Landscape<->Portrait
Vesa Interface	75 & 100 mm



Rubber pads protect desk's surface

Vice-style clamp offers solid support and easy adjustability

Computer, monitors, keyboard and mouse not included

AccessMount™ Tablet

TABSDM, TABCC, and TABV12

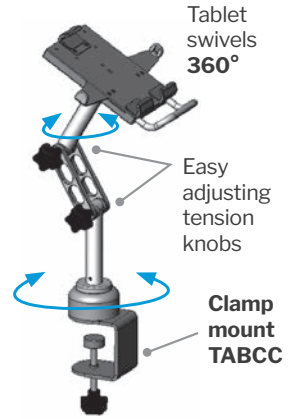
Adjustable. Theft-resistant fastener.

Securely holds tablets and provides exceptional range of motion. Tilts to any viewing angle.

- Spring loaded cradle expands and contracts to fit many tablet sizes. Attaches to a counter or desk with either a clamp or desk mount.
- Theft resistant TABSDM secures tablet to plate. Requires custom TouchPoint Medical key for tablet removal.
- All tablet mounts have a 100 mm x 100 mm VESA pattern and can be added to any TouchPoint Medical mount.
- Optional, TAB12 Series will hold larger tablets such as the iPad Pro and Surface 4.

Mounting Location

- Desk
- Cabinet
- Reception counter



Product shown TABCC

Mount adjusts **16.6 in** (42.2 cm) vertically



Undercabinet
Tablet Mount

Specifications	Theft Resistant Mount TABSDM	Clamp Mount TABCC	Larger Tablet Mount TABV12
Load Capacity	6 lbs (2.7 kg)	6 lbs (2.7 kg)	6 lbs (2.7 kg)
Vertical Adjust. Range	7.5 in (19.1 cm)	7.5 in (19.1 cm)	NA
Maximum Reach	17.5 in (44.5 cm)	17.5 in (44.5 cm)	1.5 in (3.8 cm)
Arm Swivel at Mount	360°	360°	NA
Screen Tilt	270°	270°	NA
Stowed Depth	10 in (25.4 cm)	10 in (25.4 cm)	1.5 in (3.8 cm)
Monitor Rotation	Landscape<->Portrait	Landscape<->Portrait	NA
Vesa Interface	NA	NA	100 mm (Mountable)
Width Range	9.5 in - 11.5 in	9.5 in - 11.5 in	11.5 in - 13.5 in
Height Range:	6.5 in - 8 in	6.5 in - 8 in	7.5 in - 9 in
Thickness	up to .6 in	up to .6 in	up to .6 in

Tablet not included.

AccessMount™

EV Series

Available in two models

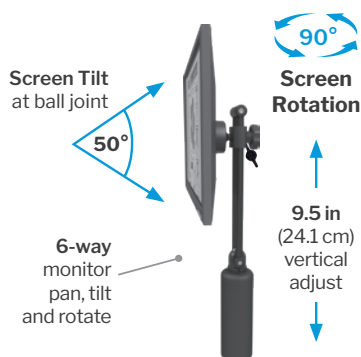
Optimize your workspace with adjustable, durable, and ergonomic mounts.

The EV Series offers strong, adjustable mounting solutions enhancing comfort and flexibility. Designed for ergonomic efficiency, these mounts provide smooth rotation, tilt, and height adjustability, reducing strain while securing your monitors in any environment.

Mounting Location

- Wall
- Pole
- Desk

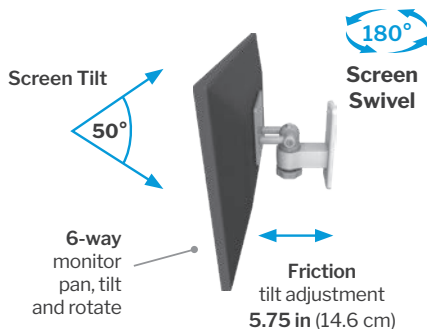
710 ICW Desk Mount



Specifications	EV710-DV75
Load Capacity	18 lbs (8.2 kg)
Vertical Adjust. Range	9.5 in (24.1 cm) monitor mount only
Maximum Reach	8.5 in (21.6 cm)
Arm Swivel at Mount	360°
Screen Swivel at Mount	180°
Screen Tilt	50°
Stowed Depth	5 in (12.7 cm)
Monitor Rotation	Landscape<->Portrait
Vesa Interface	75 & 100 mm

Monitors not included

65 ICW Wall Mount



Specifications	EV65-W2
Load Capacity	28 lbs (12.7 kg)
Maximum Reach	6 in (15.2 cm)
Screen Swivel at Mount	180°
Screen Tilt	50°
Stowed Depth	6 in (15.2 cm)
Vesa Interface	75 & 100 mm

Monitors not included

AccessMount™

GX Series

Available in three models

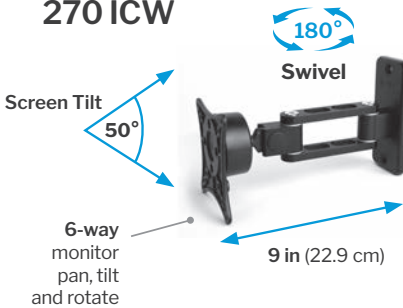
Streamline your space with the compact, secure, and versatile GX series mounts.

The GX Series delivers space-saving LCD monitor mounts designed for clinical environments. With secure, ergonomic designs, these mounts provide flexibility, durability, and easy installation—enhancing workflow efficiency without compromising valuable space.

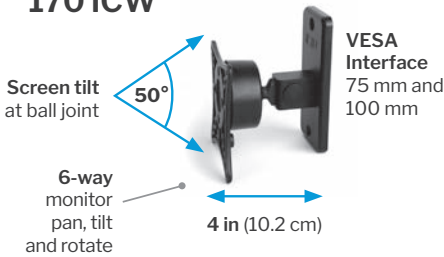
Mounting Location

- Wall

270 ICW



170 ICW



Fixed Wall Mount



Specifications	GX270-WM
Load Capacity	28 lbs (12.7 kg)
Maximum Reach	9 in (22.9 cm)
Arm Swivel at Mount	180°
Screen Swivel at Mount	180°
Screen Tilt	50°
Stowed Depth	4.5 in (11.4 cm)
Monitor Rotation	Landscape<->Portrait
Vesa Interface	75 & 100 mm

Specifications	GX170-WM
Load Capacity	28 lbs (12.7 kg)
Maximum Reach	4.5 in (11.4 cm)
Screen Swivel at Mount	50°
Screen Tilt	50°
Stowed Depth	4.5 in (11.4 cm)
Monitor Rotation	Landscape<->Portrait
Vesa Interface	75 & 100 mm

Model #	Distance from Wall
FM25	2 IN FROM WALL WITH VESA 75 PLATE
FM26	1 IN FROM WALL WITH VESA 75 PLATE
FM30	2 IN FROM WALL WITH VESA 100 PLATE
FM31	1 IN FROM WALL WITH VESA 100 PLATE



Accessories and Add-Ons

Enhance Your Setup with Versatile Mounting Accessories.

TouchPoint Medical's wide range of accessories ensures your equipment mounting solutions meet your exact needs. From keyboard trays and CPU holders to cable management and power solutions, these add-ons improve organization, functionality, and overall efficiency in any workspace.



For a full list of accessories,
please visit our website or call
our support team.

Device Mounts and Brackets

Philips



UL180H-DBGE3-DBPH2-W5-MW



DBGE3-DBPH2-W5-A1-MW

GE



DBGE1-W5-A1-MW
with optional hook and handle (not shown)



UL180H-DBGE3-W5
with optional hook and handle sold separately

Nihon Kohden



ULBV-DBNK2-W5-A1-MW



UL180HBV-DBNK2-W5-A1-MW

Welch Allyn



DBWA1-W5-AS1
with optional hook sold separately

Arms

Articulating



Articulating arm with 13.5 in of reach



Articulating arm with 17.5 in of reach

Extension

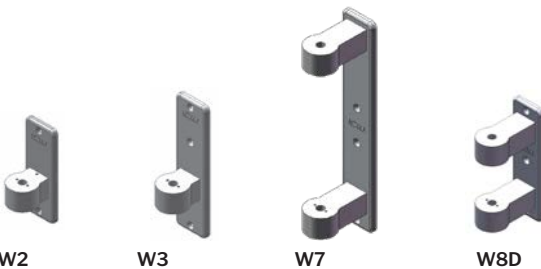


AS1
Rigid arm with 6 in of reach



A1
Rigid arm with 10.5 in of reach

Channel / Wall Brackets



W2

W3

W7

W8D

Mount ears will mount to walls and anesthesia machines.

The parts listed on this page are not compatible with all mounts.

VESA Quick Connect (VQC) Plate

- Mounts vertically or horizontally.
- Device or monitor must have flat mounting surface to mount quick release plate or a recessed area that must be at least 5 in x 5 1/8 in.
- Easy access to remove monitor or device.
- Enhances TouchPoint Medical mounts.
- Locking set screen to prevent tampering.
- Attachable to all TouchPoint Medical monitor mounts.



CPU with VQC plate shown being detached from back of monitor.

Specifications	
Load Capacity	30 lbs (13.6 kg)
Dimensions	5 in x 5 1/8 in x 1/2 in (12.7 cm x 13 cm x 1.3 cm)
VESA Interface	75 & 100 mm

Monitor and computer not included.



Monitor shown sliding from VQC plate base.

Optional Amenities



CH1
Device Cable Hook



THBVD
Small Triangle Handle



Optional handle bar grip
available

Headwalls and Wall Tracks

Create a sleek, organized healthcare space with our headwalls and wall tracks. They streamline equipment, optimize workflow, and enhance patient care. Headwalls are sold through our partner, Paladin Healthcare.



Wall Tracks



TMD19
Wall track
19 in



TMD26
Wall track
26 in



TMD36
Wall track
36 in

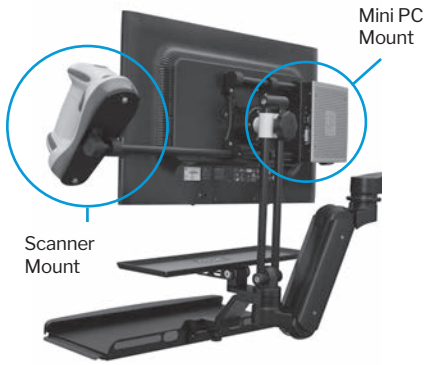


TMD50
Wall track
50 in

Track Style & Adapter Part Number		
Product	AccessMount	Vertical MD
Ultra arm on W2	-	TAW2KIT
Ultra arm on W3	-	TAW3KIT
T2 & Elite arms	-	TAT2KIT
Frame CPU mount	TAICWCPUKIT	TACPUKIT
Clamp CPU mount	TAICWCPUKIT	TAEZMTKIT

Track adapter kits are available to fit most tracks from other major suppliers.

Behind-the-Monitor Mounts



Shown mounted to back of monitor.

Behind the Monitor Scanner Mount and Mini PC Mount

Attaches small form factor computers and scanners to all standard VESA mounts. Expands, contracts, tilts and mounts where you need it.

Small Form Factor Computer Mount

Sleek and sturdy case protects and neatly stores a wide range of small form factor computers (SFFC) and their components. Fits SFFCs up to 7.8 in high and 1 in-3 in deep (2.5-19.7 cm x 7.6 cm). Mounts to back of monitor, track or wall.

CPU12

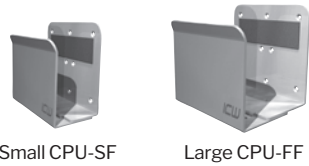
- Exterior dimensions: 13 in wide x 14 in tall x 3 in deep (33 cm x 35.6 cm x 7.6 cm)
- Fits small form factor computers up to 8 in wide x 9 in high x 2 in deep (20.3 cm x 22.9 cm x 5.1 cm).
- Compatible with 75 mm or 100 mm VESA patterns.
- Cover lifts off for easy access to interior components.
- Ventilation ports on each side prevent overheating of internal components.
- Cables are neatly stowed inside the case.



CPU and Device Mounts

AccessMount™ Computer Clamp

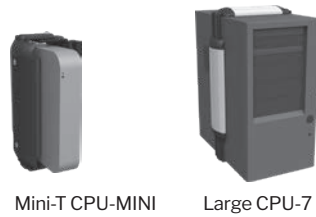
Designed for large and small form factor CPUs, these units are constructed from heavy-duty aluminum, with neoprene padding for protection. Multiple mounting capabilities.



Specifications	Small CPU-SF	Large CPU-FF
Load Capacity	30 lbs (13.6 kg)	30 lbs (13.6 kg)
Dimensions	2 in - 4.7 in wide	4.6 in - 8 in wide

AccessMount™ Computer Frame

The CPU Mini, CPU 2.8, CPU 5 and CPU 7 mounts were designed with a keyhole wall plate that makes it easy to take the CPU off the wall mount for maintenance. Includes security set screw.

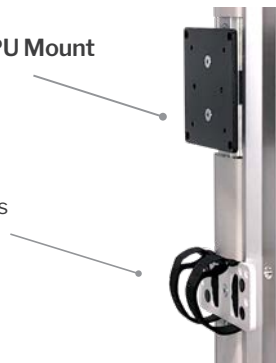


Specifications	Mnit T CPU-MINI	Large CPU-7
Load Capacity	45 lbs (20.4 kg)	45 lbs (20.4 kg)
Horizontal Adjustment	1.9 in - 3.2 in (4.8 cm - 8.1 cm)	7 in to 11in (17.8 cm to 27.9 cm) wide

Fixed CPU Mount
FM-25

PAM Power Adapter Mount

Strap your computer or monitor's power adapter to our wall track using this accessory.



Color Options

Match or complement your decor with our selection of standard and premium custom colors.

Standard Colors



Medical White (MW)

Black (WB)

Quartz Gray (QG)

Custom Colors***



Tan (T)

Arctic Silver (SL)

Forest Gray (FG)

Pewter (PW)

Bronze (BR)

Shadow (SH)

Charcoal (CH)

Color swatches are not an exact match due to variations in printing. Please ask your representative for a paint chip sample.

*** Subject to custom color fee and longer lead time.

Product Warranty

What the Warranty Covers:

TouchPoint Medical warrants our product, under normal use, is free from any defects in materials and workmanship during the warranty period. TouchPoint Medical, will, at its sole discretion, repair or replace the product with the same or like product.

How Long the Warranty is Effective:

All TouchPoint Medical components are warranted for 5 years from the original date of purchase, unless otherwise noted.

Who the Warranty Covers:

TouchPoint Medical extends the warranty to the first consumer purchaser when sold by TouchPoint Medical, or an authorized dealer or distributor.

What the Warranty Does Not Cover:

1. Damage, deterioration, or malfunction resulting from any of the following:
 - Accident, misuse, neglect, fire, water, lightning, or other acts of nature; unauthorized product modification, or failure to follow instructions supplied with the product
 - Repair or attempted repair by anyone not authorized by TouchPoint Medical.
 - Removal or installation of the product

- Use of supplies or parts not meeting TouchPoint Medical's specifications
 - Normal wear and tear
2. Any products used for rental purposes
 3. Any TouchPoint Medical product that has been custom modified by anyone other than TouchPoint Medical
 4. Removal, installation, or set up service charges.
 5. Freight charges to return the product to TouchPoint Medical are the customer's responsibility.
 - On warranty repairs, TouchPoint Medical will return product to the customer via ground freight. International customers are responsible for the freight charges both ways, including customs, duties and taxes.

How to Get Service:

To obtain service warranty, you will be required to provide the following:

1. The original dated invoice
2. Your name
3. Your address
4. A description of the problem
5. The part number and color

For information about receiving service under warranty, contact our Customer Support at 1-800-558-4435 or sales@icwusa.com.

Return Policy

Thank you for purchasing your TouchPoint Medical mounting products. If you are not satisfied with your order, you may return the product(s) within 90 days of the date of invoice with a minimum 20% restocking fee.

Orders over 10 mounts are not returnable unless approved on an order by basis. All returns are subject to a repair fee based on the condition of the returned product.

No returns on custom modified products or OEM (original equipment manufacturers) units.

Customers must request a Return Merchandise Authorization (RMA) from TouchPoint Medical by phone. Please call 800-558-4435 between the hours of 6:00 a.m. - 4:00 p.m. Pacific Time.

Be prepared with the following information:

- Invoice number, sales order number or Purchase Order number
- Part number(s) and product(s) being returned
- Detailed explanation of reason for return
- Name of the person who ordered the product, their phone number and email address
- Name of a user of the product, their phone number and email address

Please follow these instructions to return your product:

1. RMAs must be obtained within 90 days of the date of invoice.
 - No return requests will be granted for discontinued products or custom modified products, including custom paint or coating without

prior approval.

2. Return authorization will be confirmed by e-mail and will include a Return Merchandise Authorization label provided by TouchPoint Medical that is to be inserted into the packaging and attached to the outside of the packaging.
 - Merchandise must be returned in the original packaging
 - Merchandise must prominently display the RMA number on the outside of the packaging
 - Package must contain a signed copy of the RMA with the product
 - Customer is responsible for return freight costs and any damages caused in shipping
 - TouchPoint Medical must receive the product within 15 days from the issue date of the RMA to ensure proper credit
3. Unauthorized returns or any returned merchandise that does not have an RMA number will be quarantined. Quarantined product will be returned to the customer at the customer's expense. Quarantined product not picked up within 15 days of notification will be recycled, no credit will be issued.
4. Regularly stocked TouchPoint Medical products that are returned after 90 days from the date of invoice will be charged a minimum 20% restocking fee. No returns for products over 90 days. Additional fees for damaged product or parts that need rework may also apply.

A Global Business with a Local Touch

TouchPoint Medical brings a global network of manufacturing, quality, and engineering to the forefront of the medical industry. From quality and performance, to aesthetics and ergonomics, we know small touches make a big difference to our customers. We provide customer-driven medical technology and service solutions to thousands of hospitals and health care facilities around the world.



BRINGING CARE FORWARD.™

Global Headquarters & Americas
Customer and Technical
Support Office
Odessa, FL, USA
Tel: (1) 800 947 3901

European Headquarters
Customer and Technical
Support Office
Kruibeke, Belgium
Tel: (32) 3 432 53 00

**China, Taiwan, Japan,
Korea, Hong Kong**
Shaanxi Sheng, China
Tel: (86) 29 8111 6011

United Kingdom
Rugby, United
Kingdom
Tel: (44) (0) 844 576 1247

Middle East / Africa
Dubai, United Arab
Emirates
Tel: (971) 55 596 3092

SE Asia, AUS/NZ
Victoria, Australia
Tel: (613) 9330 5050

Nordic Region
Asker, Norway
Tel: (47) 31 90 97 60
Jonseder, Sweden
Tel: (46) (0) 31 757 20 50